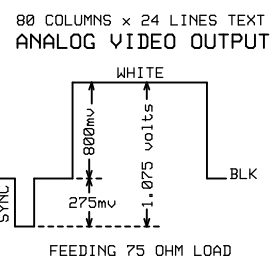
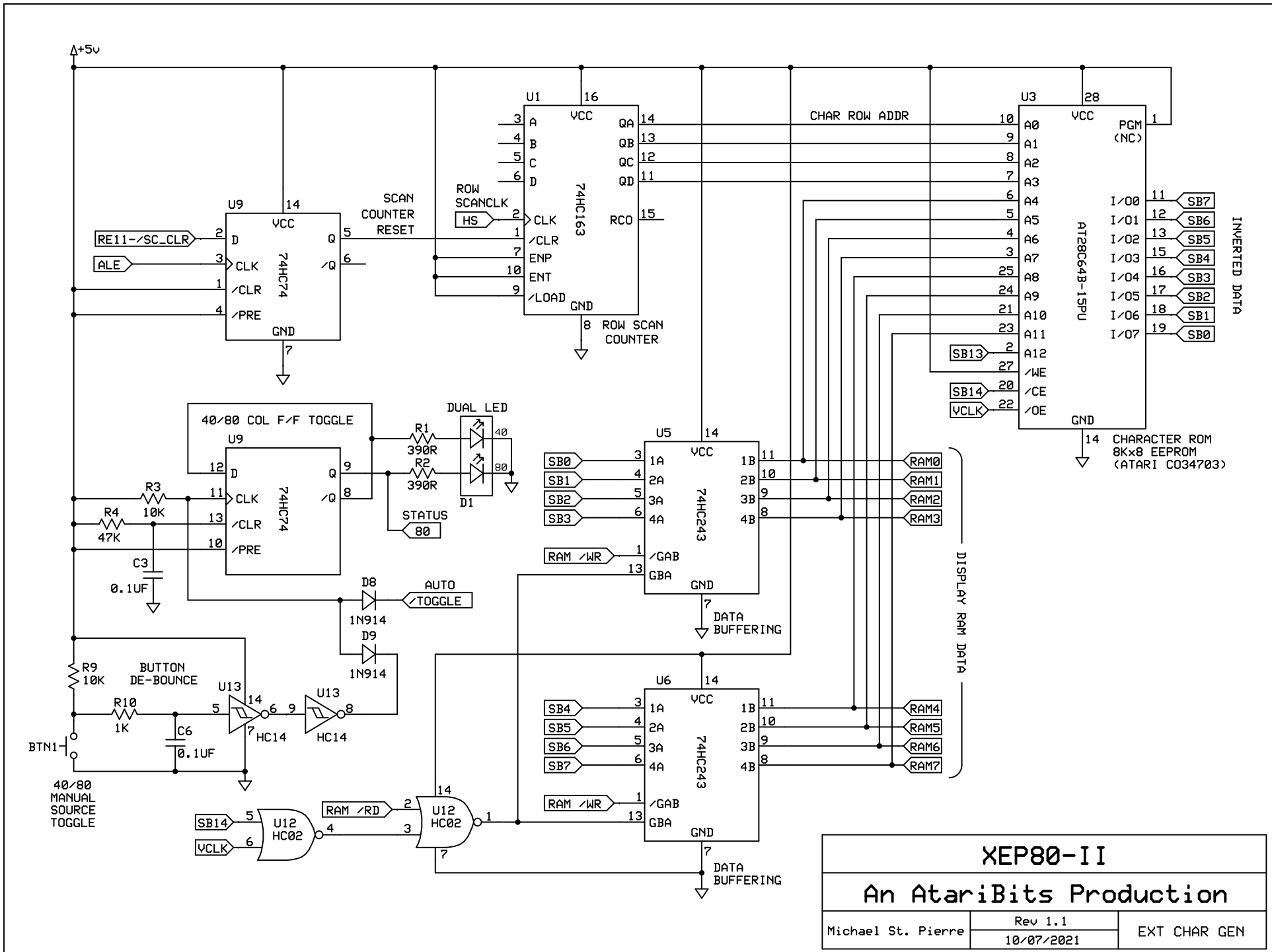
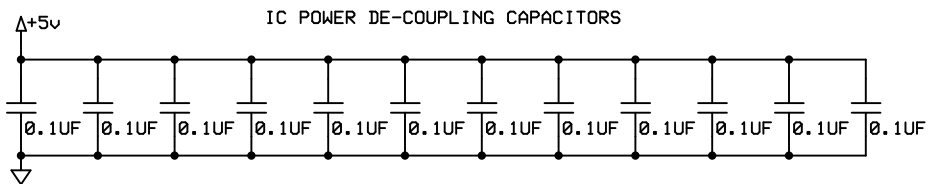
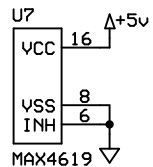
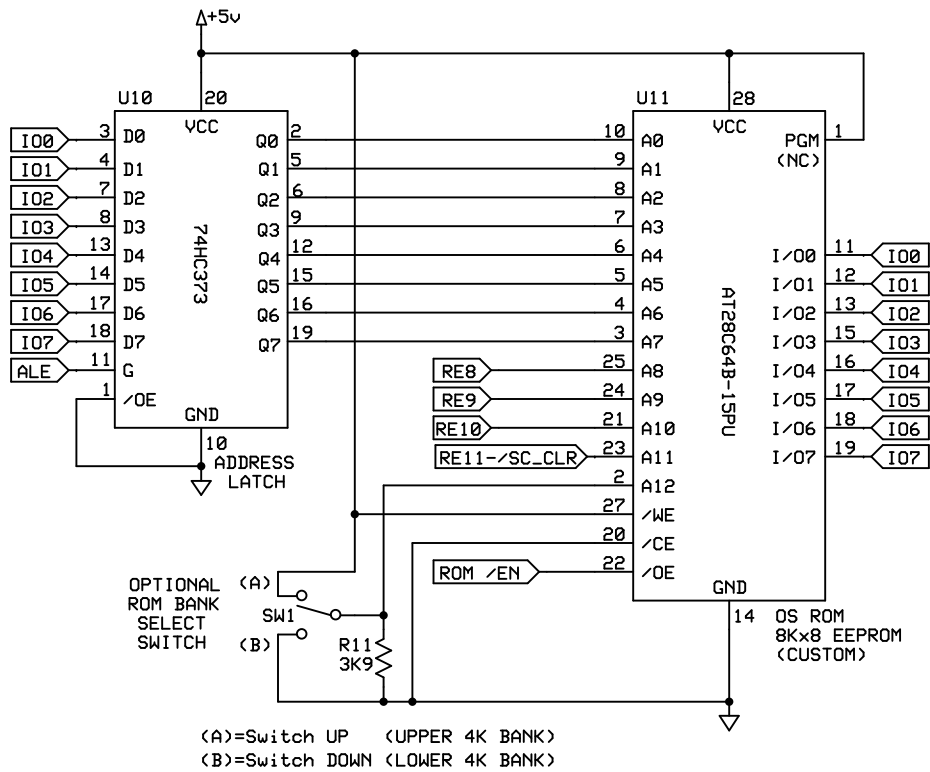


BUFFERED DATA

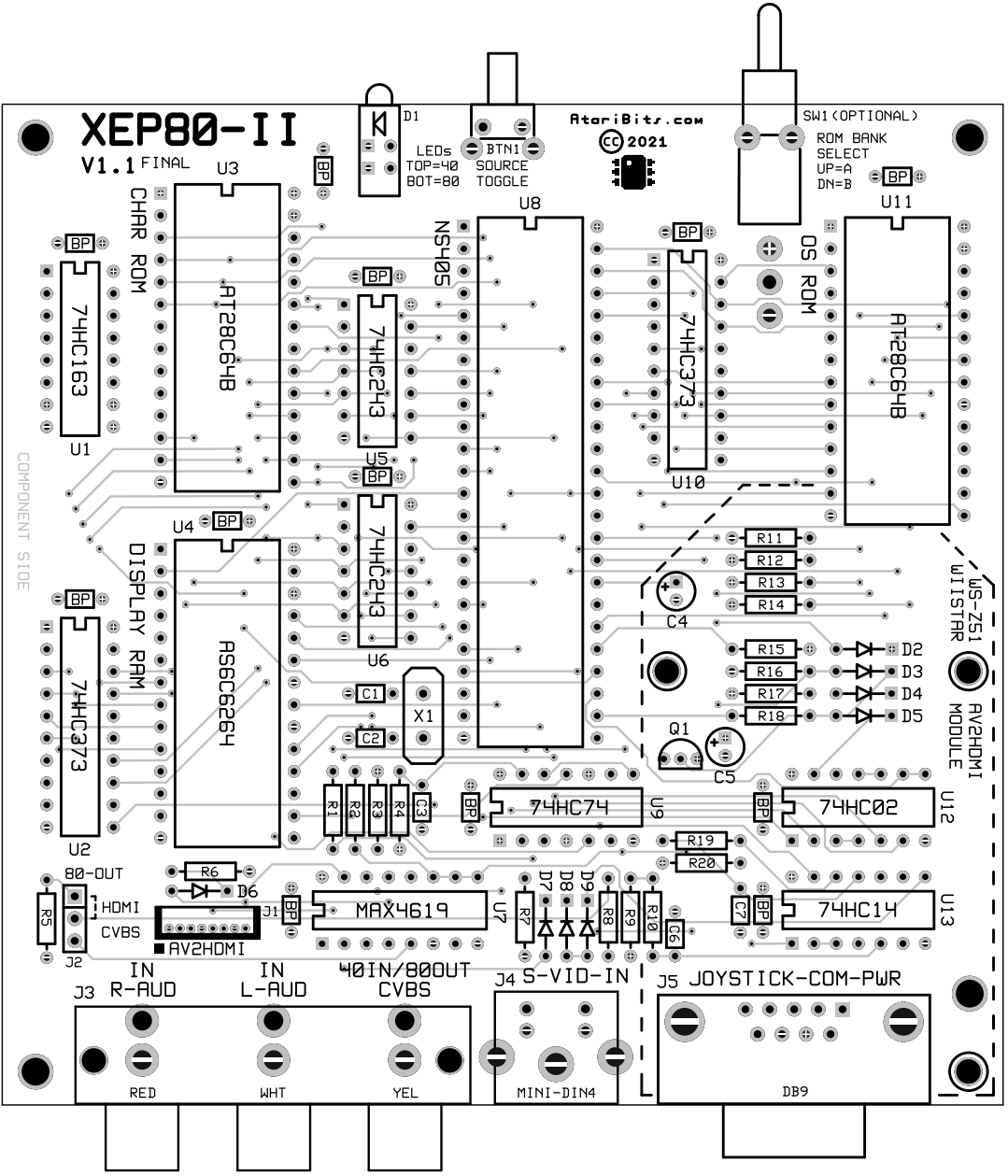


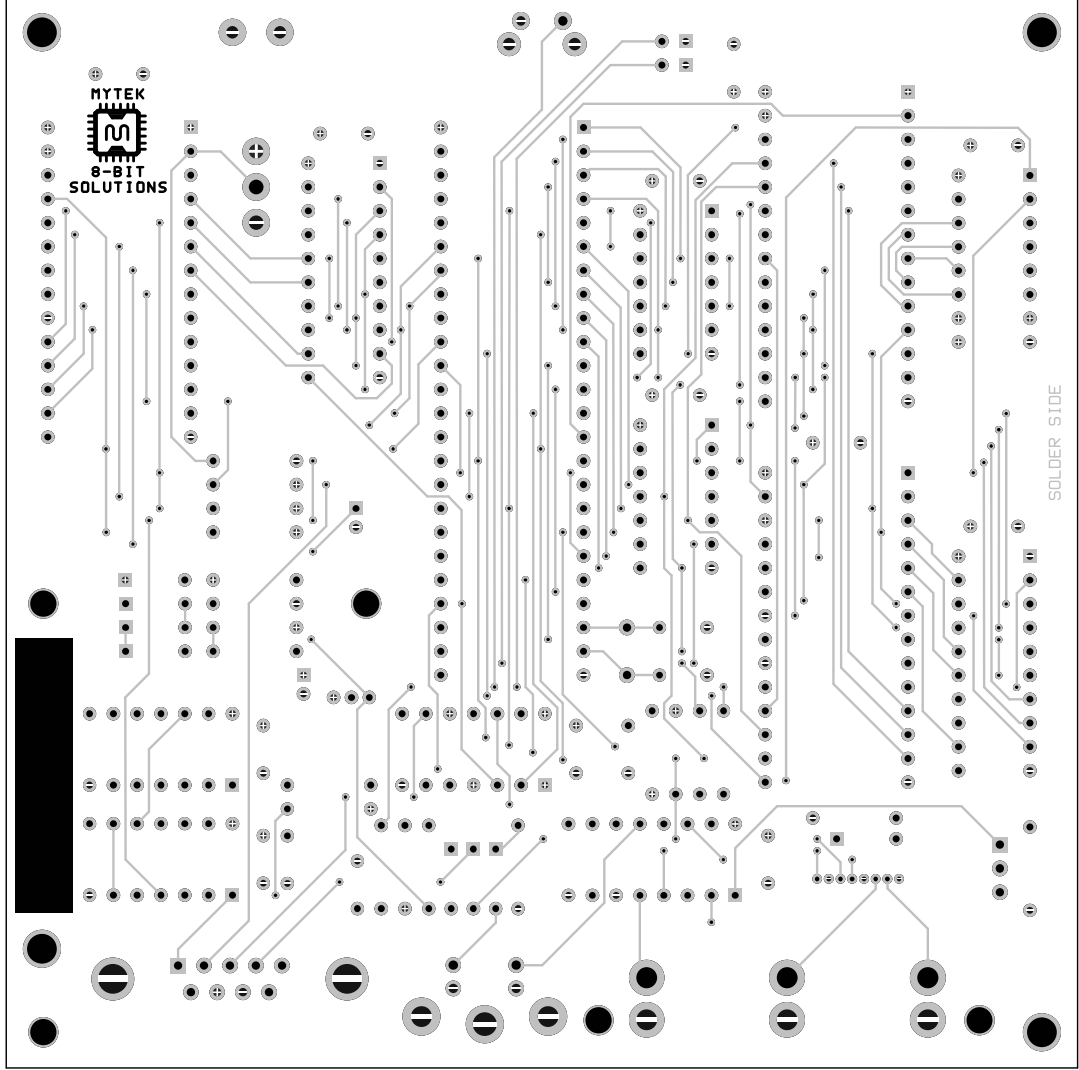




NOTE: TOTAL POWER DRAW = 210 ma FROM JOYSTICK PORT.
 A 5 VDC 1 AMP ATARI PSU WOULD SUFFICE SO LONG
 AS THERE WERE NO 3rd PARTY UPGRADES INSTALLED.
 A 5 VDC =>1.5 AMP PSU IS PREFERRED.

XEP80-II		
An AtariBits Production		
Michael St. Pierre	Rev 1.1 10/07/2021	EXT OS ROM





MYTEK
8-BIT
SOLUTIONS

SOLDER SIDE