

LSB \$Cx \$Ex  
 1 1  
 1 1  
 0 1

MSB \$D1xx 0

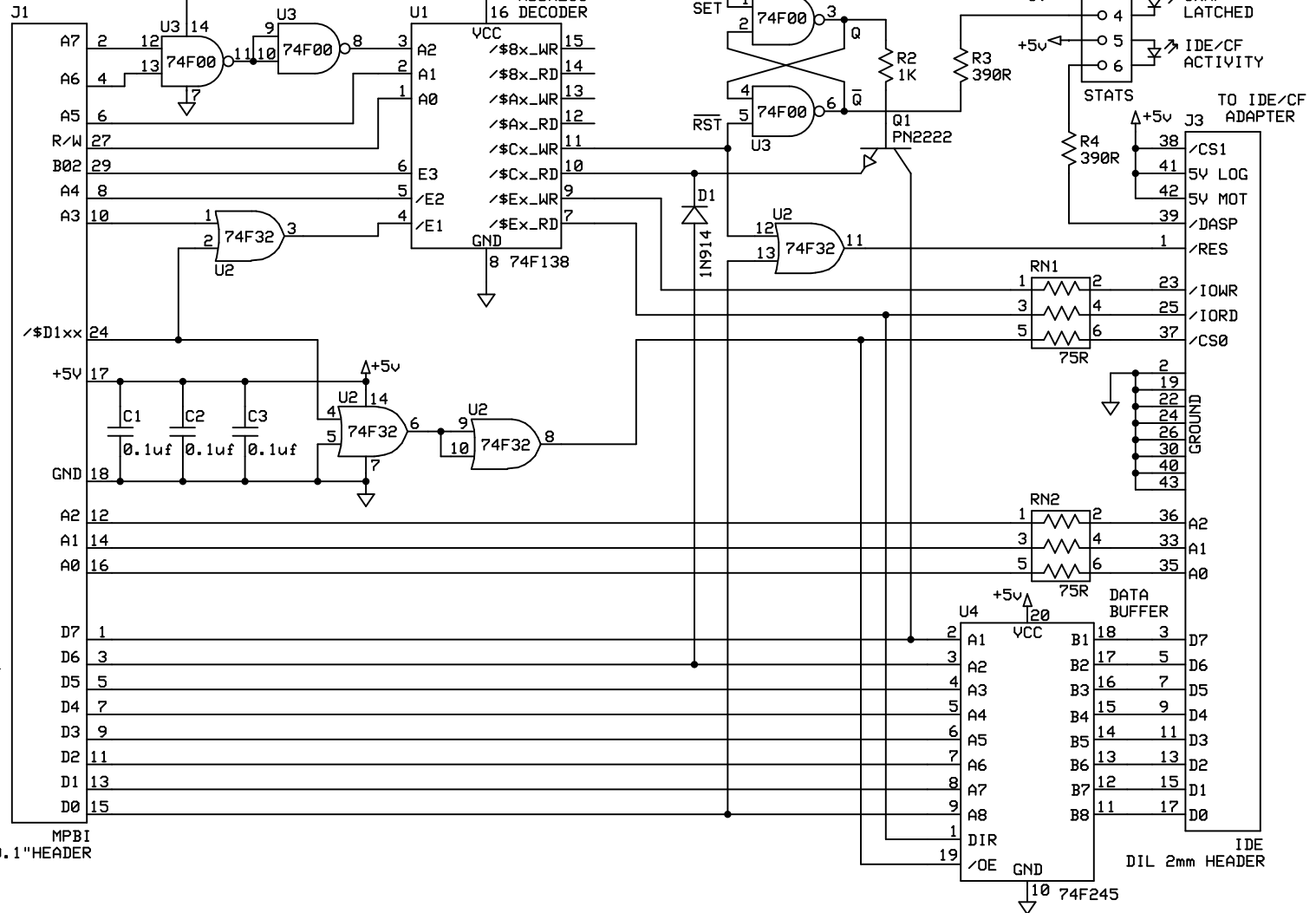
CF REGISTERS  
 \$E0 DATA  
 \$E1 ERROR/FEATURE  
 \$E2 SECTOR COUNT  
 \$E3 LBA Bits 0-7  
 \$E4 LBA Bits 8-15  
 \$E5 LBA Bits 16-23  
 \$E6 LBA Bits 24-27  
 \$E7 STATUS/COMMAND

CTRL/STAT  
 \$Cx WR D0=0 ALL RESET  
 \$Cx WR D0=1 SWAP RESET  
 \$Cx RD SIGN D6=0  
 \$Cx RD SWAP D6&D7=0

MPBI  
 DIL 0.1"HEADER

FROM  
 1088XEL  
 MINI-PBI

J1  
 A7 2  
 A6 4  
 A5 6  
 R/W 27  
 B02 29  
 A4 8  
 A3 10  
 /\$D1xx 24  
 +5V 17  
 GND 18  
 A2 12  
 A1 14  
 A0 16  
 D7 1  
 D6 3  
 D5 5  
 D4 7  
 D3 9  
 D2 11  
 D1 13  
 D0 15



NOTE: IF YOU DO A READ FROM \$D1Cx BIT 6 WILL ALWAYS BE LOW, THIS IS THE CF3 SIGNATURE. WHEREAS THE XEL-CF-II WILL HAVE BIT 6 READING HIGH. BIT 7 WILL ONLY READ LOW FOR A SWAP BUTTON LATCHED CONDITION, AND HIGH WHEN THE LATCH HAS BEEN RESET.

V1.1 CHANGES: SWITCHED FROM HCT TO HIGH SPEED 'F' SERIES FOR ALL IC CHIPS.

<b>Mytek Controls</b>		
<b>XEL-CF3 (MPBI to IDE/CF)</b>		
Michael St. Pierre	Rev 1.1 5/22/2018	Page # 1 of 1