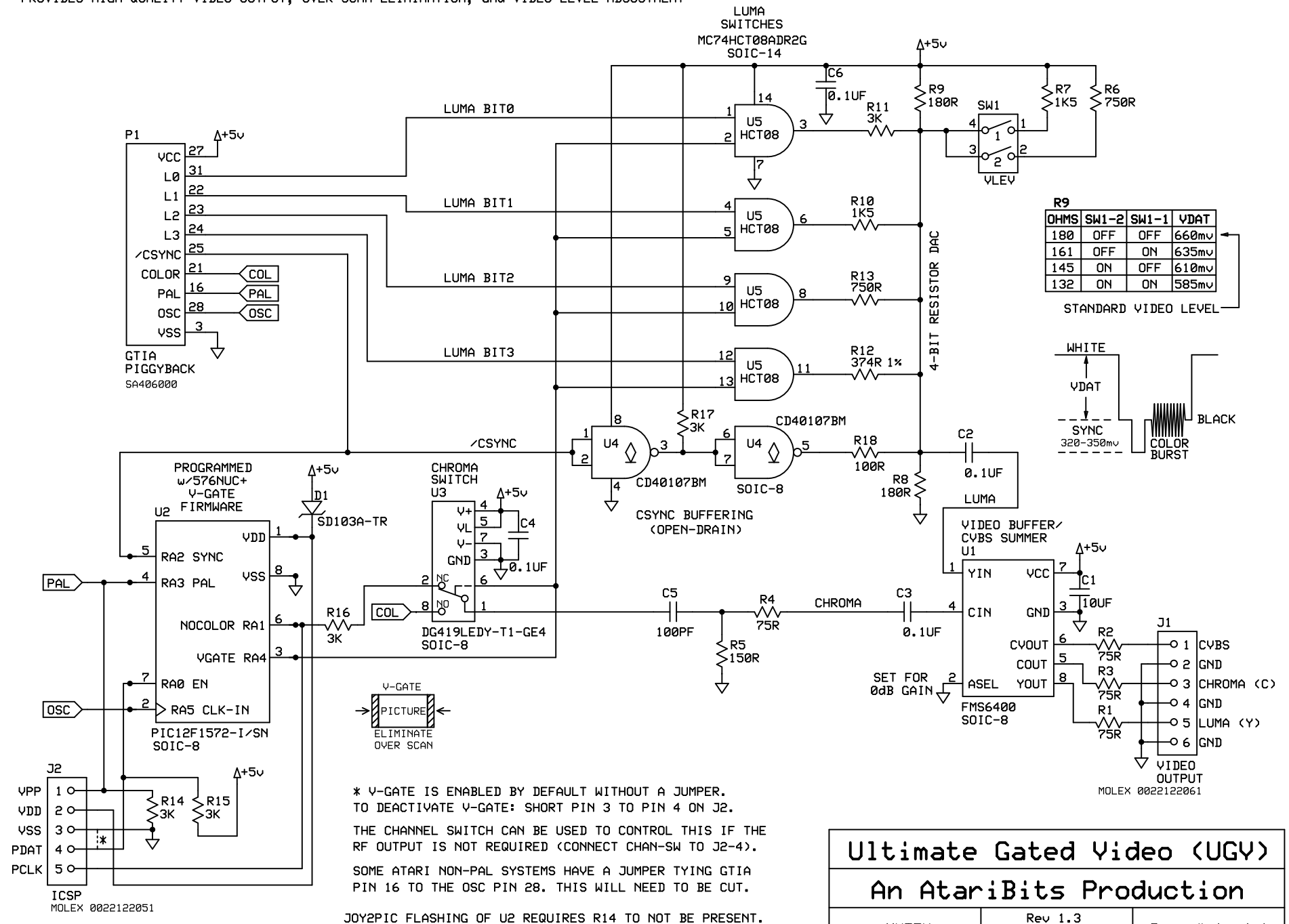


PROVIDES HIGH QUALITY VIDEO OUTPUT, OVER SCAN ELIMINATION, and VIDEO LEVEL ADJUSTMENT



\* V-GATE IS ENABLED BY DEFAULT WITHOUT A JUMPER.  
TO DEACTIVATE V-GATE: SHORT PIN 3 TO PIN 4 ON J2.

THE CHANNEL SWITCH CAN BE USED TO CONTROL THIS IF THE RF OUTPUT IS NOT REQUIRED (CONNECT CHAN-SW TO J2-4).

SOME ATARI NON-PAL SYSTEMS HAVE A JUMPER TYING GTIA PIN 16 TO THE OSC PIN 28. THIS WILL NEED TO BE CUT.

JOY2PIC FLASHING OF U2 REQUIRES R14 TO NOT BE PRESENT.

## Ultimate Gated Video (UGY)

An AtariBits Production

MYTEK

Rev 1.3

7/23/2022

Page # 1 of 1

