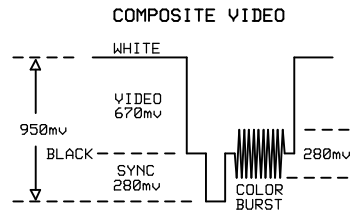
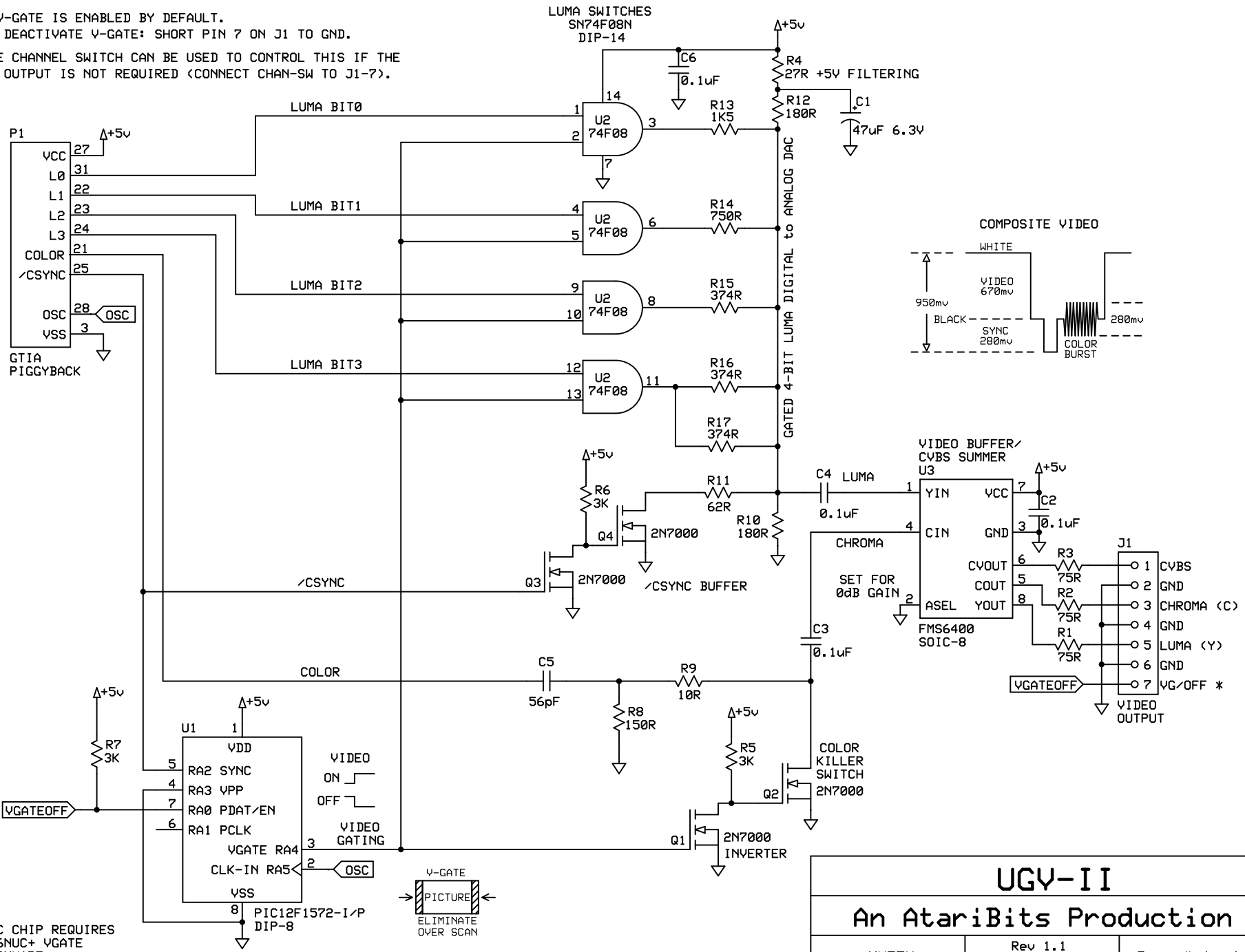


* V-GATE IS ENABLED BY DEFAULT.
 TO DEACTIVATE V-GATE: SHORT PIN 7 ON J1 TO GND.
 THE CHANNEL SWITCH CAN BE USED TO CONTROL THIS IF THE
 RF OUTPUT IS NOT REQUIRED (CONNECT CHAN-SW TO J1-7).



PIC CHIP REQUIRES
 576NUC+ V-GATE
 FIRMWARE.

UGV-II		
An AtariBits Production		
MYTEK	Rev 1.1 11/18/2024	Page # 1 of 1