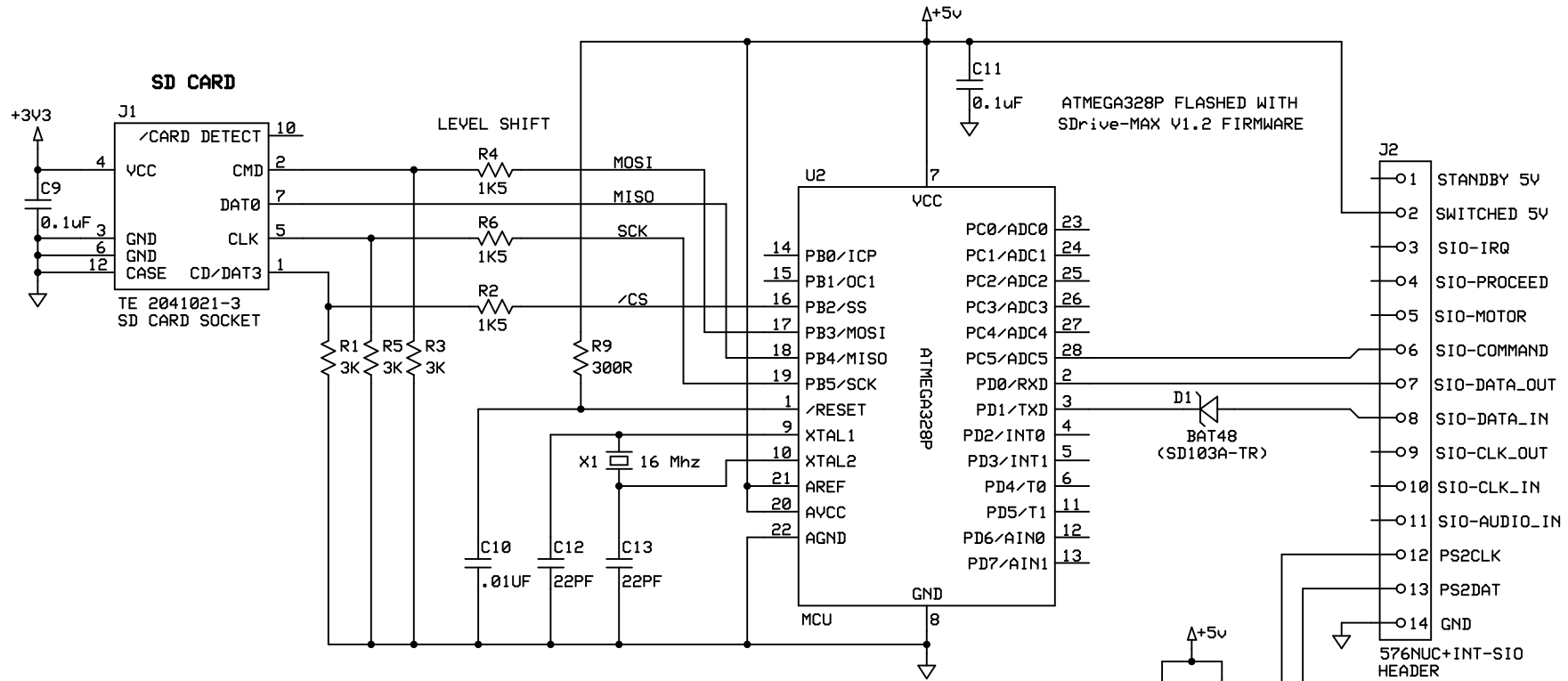


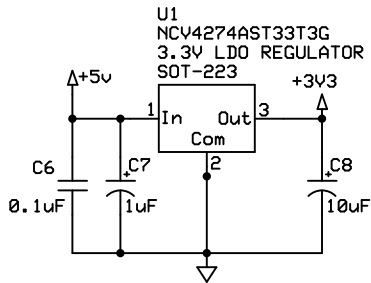
# SPI - Power Control, Watts, and RS232

<b>Mytek Controls</b>		
<b>RLC-4000 576NUC+ INTFC</b>		
Michael St.Pierre	Rev 2.0	MAIN
	01/01/2022	

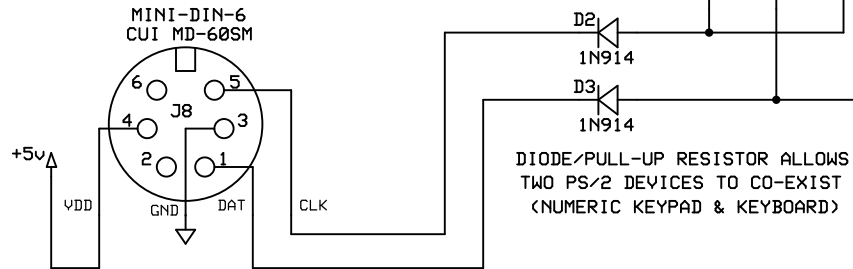
# SDrive - Solid State Disk Drive



## 3.3 VDC POWER SUPPLY

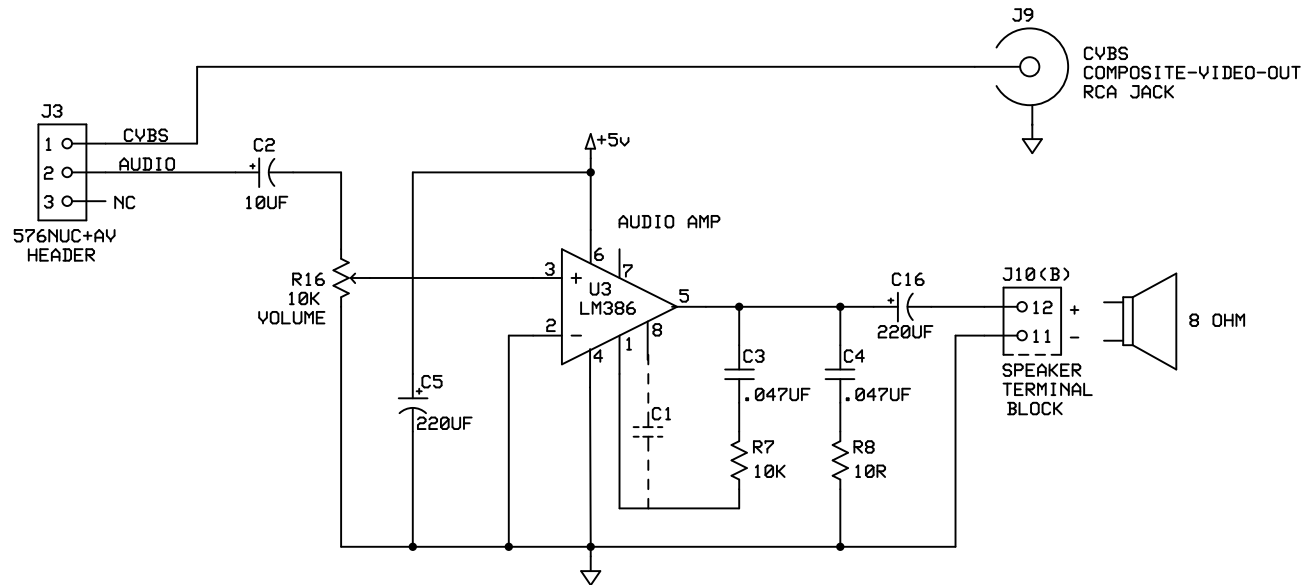


## PS/2 NUMERIC KEYPAD



<b>Mytek Controls</b>		
<b>RLC-4000 576NUC+ INTFC</b>		
Michael St.Pierre	Rev 2.0	SDRIVE
	01/01/2022	

# Audio/Video Break-Out and Amplification



NOTE: GAIN ADJUSTMENT CAPACITOR C1 NOT USED.

<b>Mytek Controls</b>		
<b>RLC-4000 576NUC+ INTFC</b>		
Michael St.Pierre	Rev 2.0	AUDIO/VIDEO
	01/01/2022	

