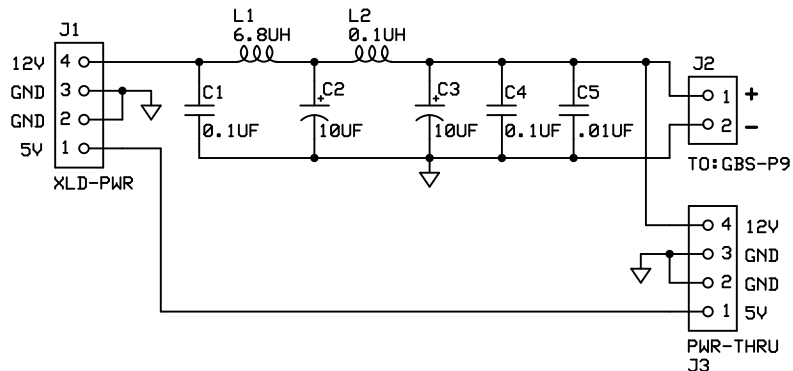
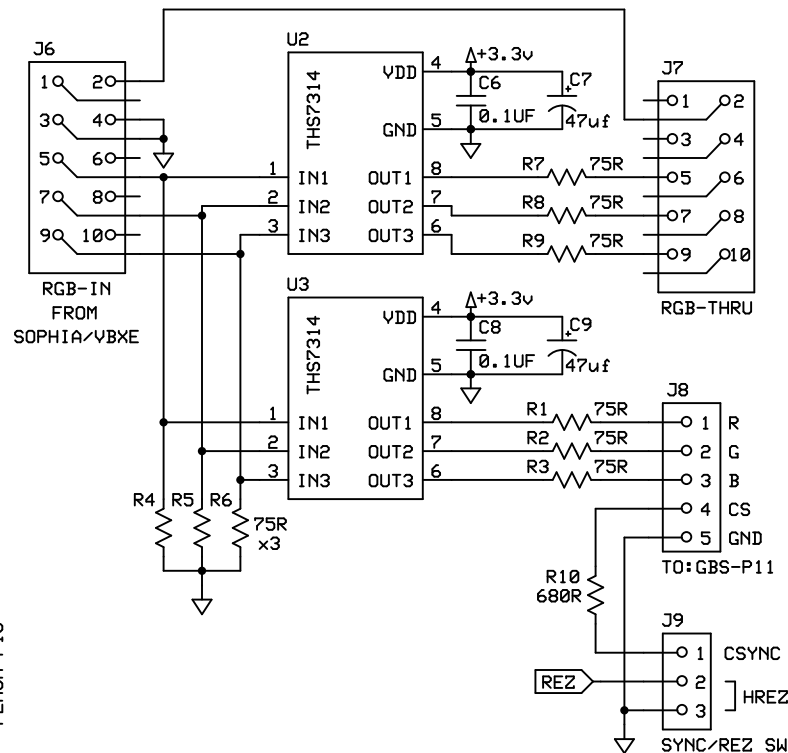


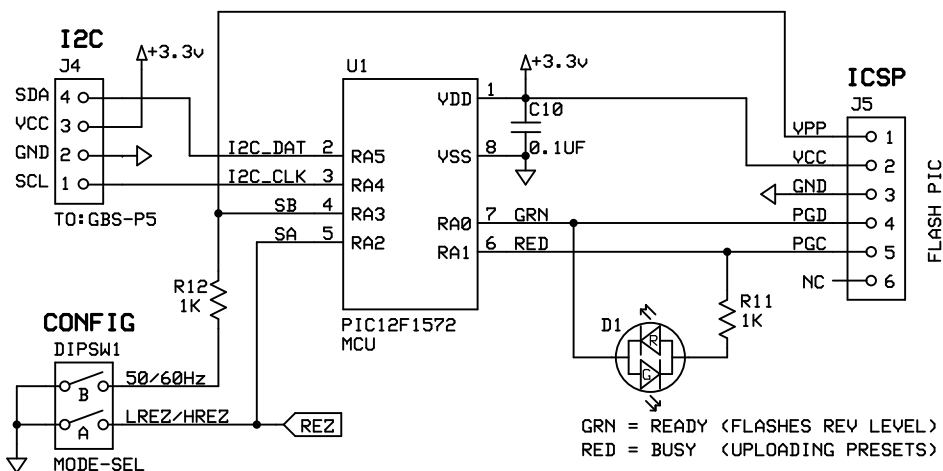
FILTERED 12 VDC POWER FOR GBS-8200



RGB VIDEO BUFFER/DISTRIBUTION



GBS-8200 RE-PROGRAMMING



B	A	VIDEO MODE
OFF	OFF	288p 50Hz
OFF	ON	576i 50Hz
ON	OFF	240p 60Hz
ON	ON	480i 60Hz

IN CIRCUIT FLASHING OF THE PIC12F1572 USING A JOY2PIC PROGRAMMER IS NO LONGER POSSIBLE WITH THE ADDITION OF THE TWO VIDEO BUFFER CHIPS WHICH PRESENT TOO MUCH LOAD FOR THE JOY2PIC'S VCC OUTPUT TO DRIVE.

IF USING A PICKit2-3 PROGRAMMER IT IS PERMISSABLE TO FLASH AFTER INSTALLATION, AND THUS USE THE ICSP CONNECTION FOR FIRMWARE DEVELOPMENT WHILE THE SYSTEM IS POWERED.

BE SURE TO PLACE A SHORTING JUMPER ACROSS P8 ON THE GBS-8200 BOARD IN ORDER TO ACTIVATE EXTERNAL PROGRAMMING OF THE TV5725 SCALER CHIP

An AtariBits Production

RGB2VGA-XLD GBS CARRIER

MYTEK

Rev 1.1
7/01/2020

SCHEMATIC

BILL OF MATERIALS

QTY	DESCRIPTION	MFR P/N	MOUSER P/N	ID
1	IC MCU 8BIT 3.5KB FLASH 8DIP	PIC12F1572-I/P	579-PIC12F1572-I/P	U1
1	IC 8PIN DIP SOCKET	1-2199298-2	571-1-2199298-2	U1-SOCKET
2	IC TRIPLE VIDEO AMP BUFFER 8SOIC	THS7314DR	595-THS7314DR	U2-U3
5	CAP CER 0.1UF 50V X7R RADIAL	C322C104K5R5TA7305	80-C322C104K5R5TA	C1,C4,C6,C8,C10
2	CAP ALUM 10UF 20% 16V RADIAL	860160372001	710-860160372001	C2-C3
1	CAP CER 0.01UF 50V X7R RADIAL	C317C103K5R5TA	80-C317C103K5R	C5
2	CAP ALUM 47UF 20% 16V RADIAL	860130373002	710-860130373002	C7,C9
9	RESISTOR 75 OHM 1/4W 5% AXIAL	CFR-25JB-52-75R	603-CFR-25JB-52-75R	R1-R9
1	RESISTOR 680 OHM 1/4W 5% AXIAL	CFR-25JB-52-680R	603-CFR-25JB-52-680R	R10
2	RESISTOR 1K OHM 1/4W 5% AXIAL	CFR-25JB-1K0	603-CFR-25JB-1K0	R11,R12
1	POWER INDUCTOR 6.8uH 10%	AIUR-16-6R8K	815-AIUR-16-6R8K	L1
1	POWER INDUCTOR 0.10uH 10%	9250A-101-RC	652-9250A-101-RC	L2
1	*CONN HDR VERT 4POS 2.54MM	SSQ-104-04-F-S	200-SSQ10404FS	J1
1	CONN HDR VERT 40POS 2.54MM	M20-9994045	855-M20-9994045	J2, J4, J5, J8, J9
1	CONN HDR VERT 4POS FRICTION LOCK	22-11-2042	538-22-11-2042	J3
1	CONN HDR VERT 2x5POS 2.54MM	10129381-910002BLF	649-1012938191002BLF	J6
1	*CONN HDR VERT 2x5POS 2.54MM	SSQ-105-04-F-D	200-SSQ10504FD	J7
1	LED BI-COLOR RED/GRN 5MM 2-LEAD	WP7113SRSGW	604-WP7113SRSGW	D1
1	SWITCH SLIDE DIP SPST 100MA	209-2LPST	774-2092LPST	DIPSW1
1	CONN FEMALE HDR VERT 4POS 2.54MM	M20-7820442	855-M20-7820442	GBS I2C HEADER

*NOTE: EXTENDED PIN FEMALE HEADERS FOR BOARD-TO-BOARD INTERFACE

An AtariBits Production

RGB2VGA-XLD GBS CARRIER

MYTEK

Rev 1.1
7/01/2020

BOM