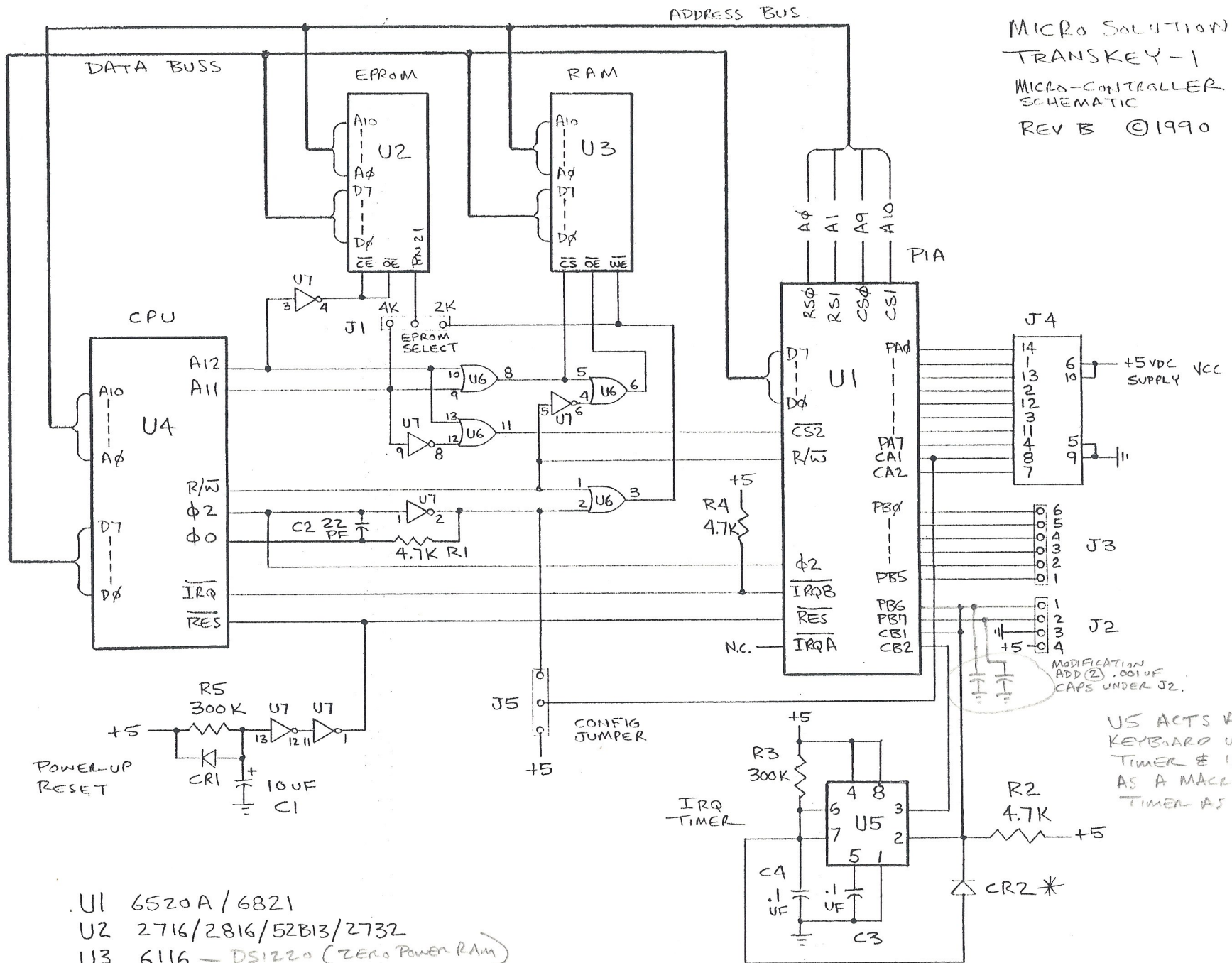


MICRO SOLUTIONS
 TRANSKEY-1
 MICRO-CONTROLLER
 SCHEMATIC
 REV B ©1990



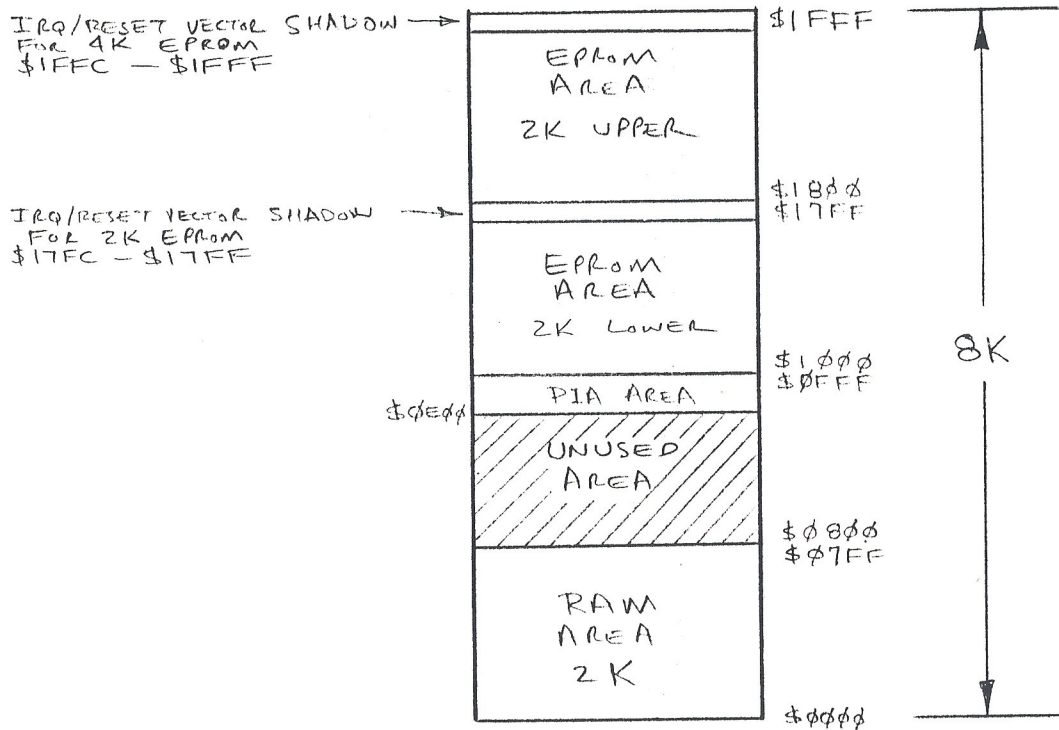
- U1 6520A/6821
- U2 2716/2816/52B13/2732
- U3 6116 - DS1220 (ZERO Power RAM)
- U4 6504A
- U5 555
- U6 74LS32
- U7 74LS14

MODIFICATION
 ADD ② .001uF
 CAPS UNDER J2.

US ACTS AS A
 KEYBOARD WATCHDOG
 TIMER & IS USED
 AS A MACRO SEND
 TIMER AS WELL.

*NOTE: REVISION, NOT
 ON PCB. ADD BY JUMPING
 FROM R3 TO PIN 2 ON
 TOP OF PCB.

TRANSKEY MICRO-CONTROLLER MEMORY MAP FOR REV B.



SHADOWED VECTORS FOR
IRQ & RESET ARE SHADOWS
OF \$FFFC - \$FFFF.

PIA CONTROL & DATA
REGISTERS ARE DUPLICATED
SEVERAL TIMES WITHIN THE
DECODED AREA EXTENDING
FROM \$0E00 TO \$0FFF.

MICRO SOLUTIONS
TRANSKEY-2
POKEY PIGGY-BACK
CONNECTOR
SCHEMATIC
REV B © 1990

