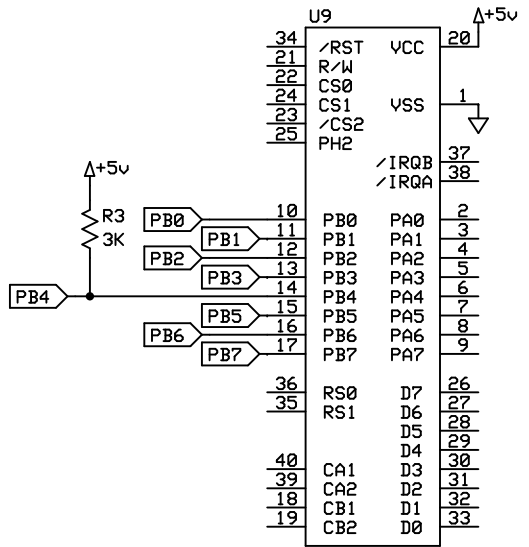
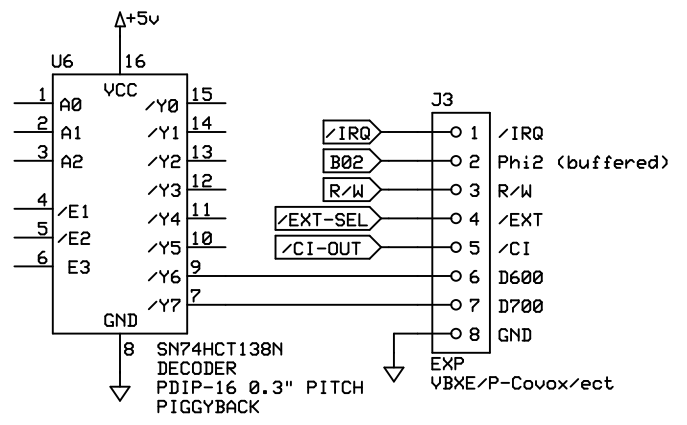
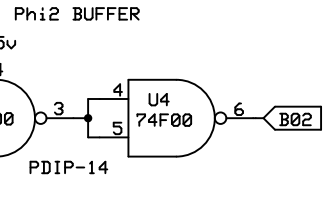
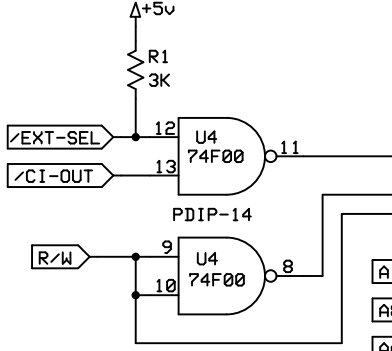


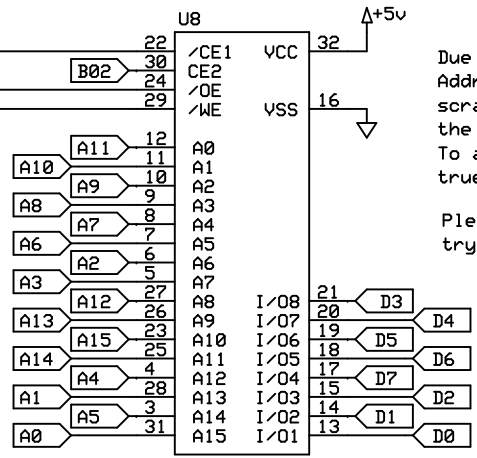
ATARI P/N: C014806
 SALLY (CPU)
 PDIP-40 0.6" PITCH
 PIGGYBACK



ATARI P/N: C014795
 PIA (R6520)
 PDIP-40 0.6" PITCH
 PIGGYBACK

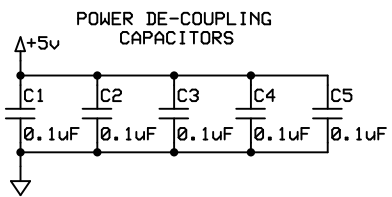


64KB BASE RAM



UM61512A
 64Kx8 SRAM
 PDIP-32 0.3" PITCH

Due to PCB layout considerations, Address and Data signals have been scrambled and no longer follow the designations on the 64K SRAM. To a lesser extent this is also true for the 512K SRAM Data lines. Please keep this in mind when trying to trace circuit paths.



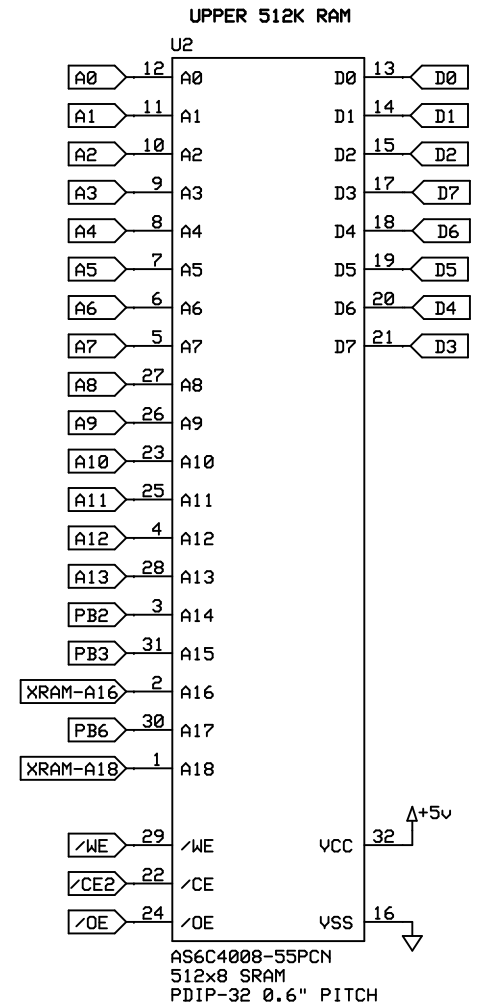
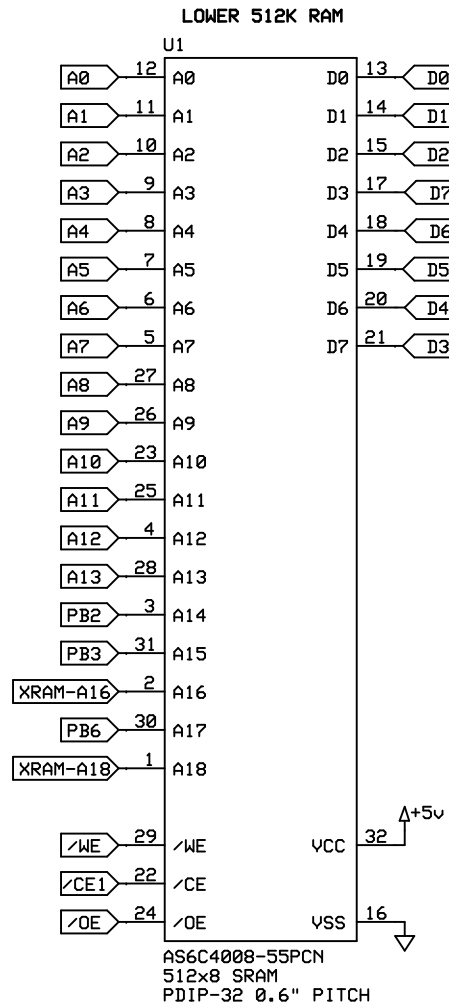
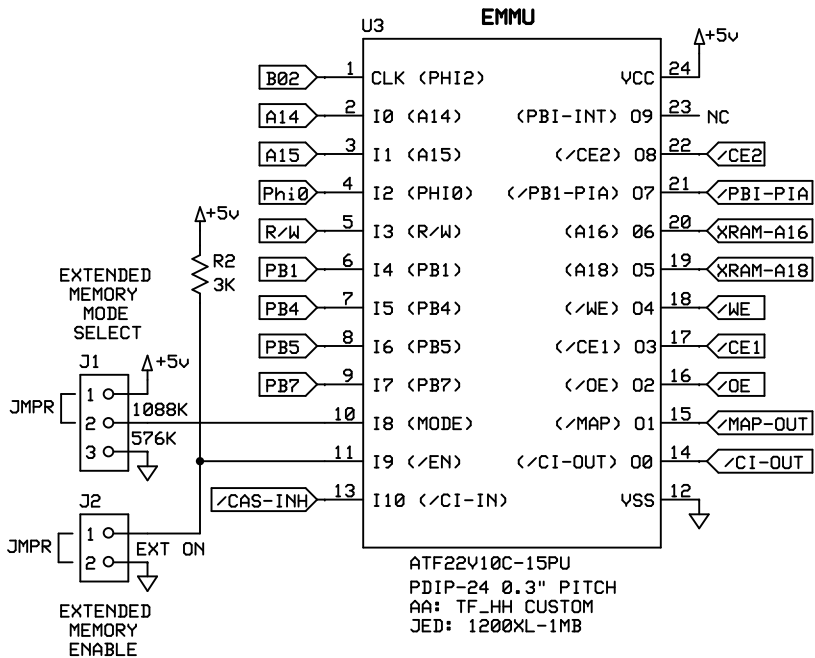
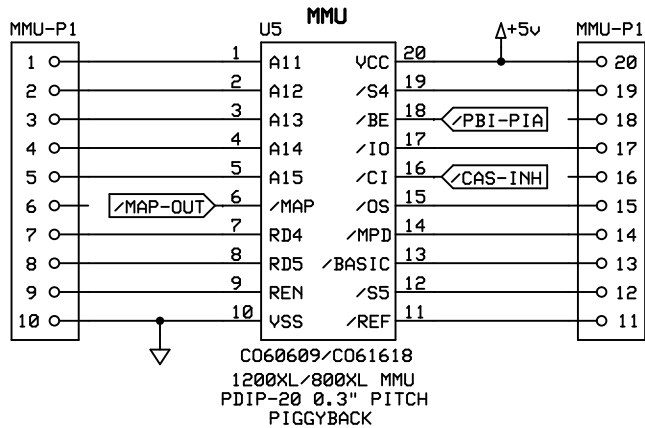
1200XL-1MB MEMORY EXPANSION

An AtariBits Production

MYTEK

Rev 1.2
 12/06/2024

Page # 1 of 2



1200XL-1MB MEMORY EXPANSION

An AtariBits Production

The original 512K hardware was based upon Matthias Reichl (Hiassoft at AtariAge) design.
 The 1200XL-1MB changes were created by Juergen van Radecke (tf_hh at AtariAge) in 2024.

MYTEK

Rev 1.2
 12/06/2024

Page # 2 of 2