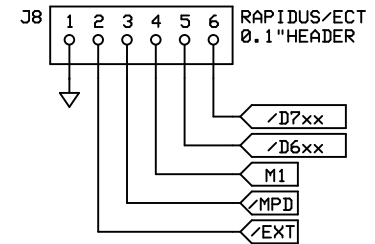
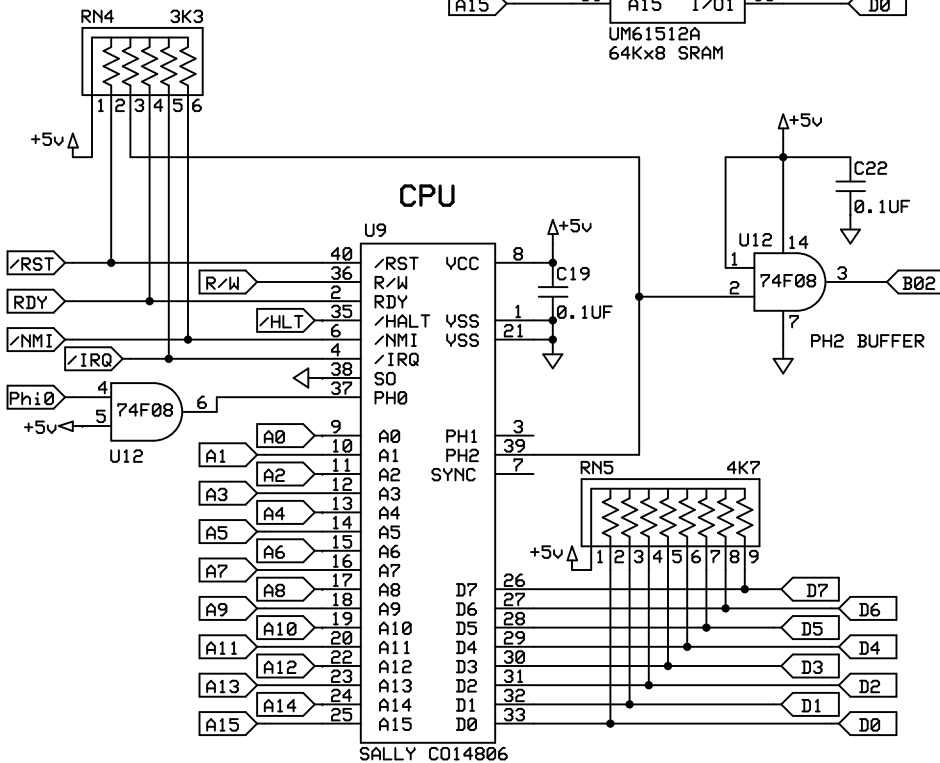
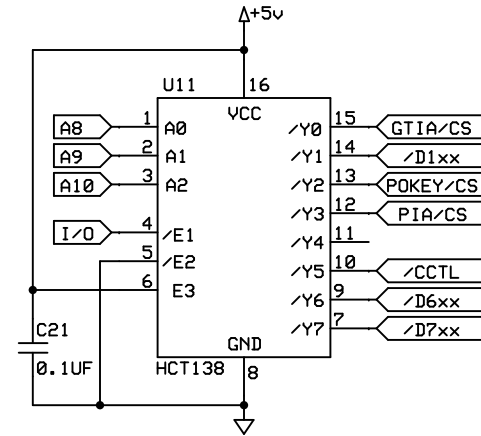


CHIP SELECT DECODING



*NOTE: /EXT = /EXTSEL, REQUEST BY EXTERNAL DEVICE (Parallel Bus) TO TURN OFF RAM ACCESS
/CI = /CASINH, RAM CAS INHIBIT GENERATED BY U1MB MMU DECODING (SAME AS PBI EXTENDB)

ATARI 1088XLD COMPUTER

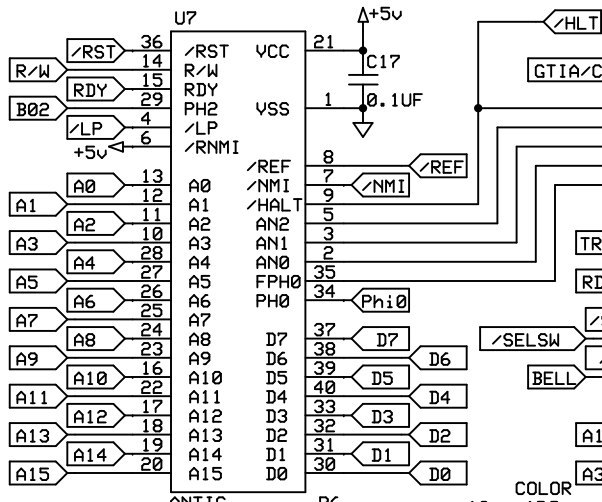
An AtariBits Production

Michael St.Pierre

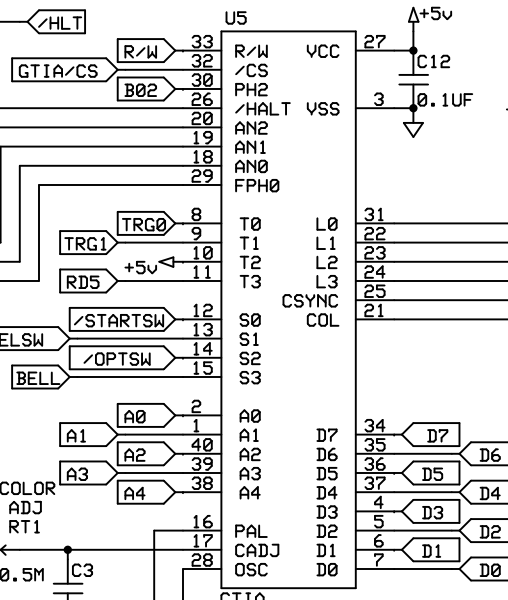
V1.1 RELEASE
Revised: 8/29/2019

CPU/MEMORY

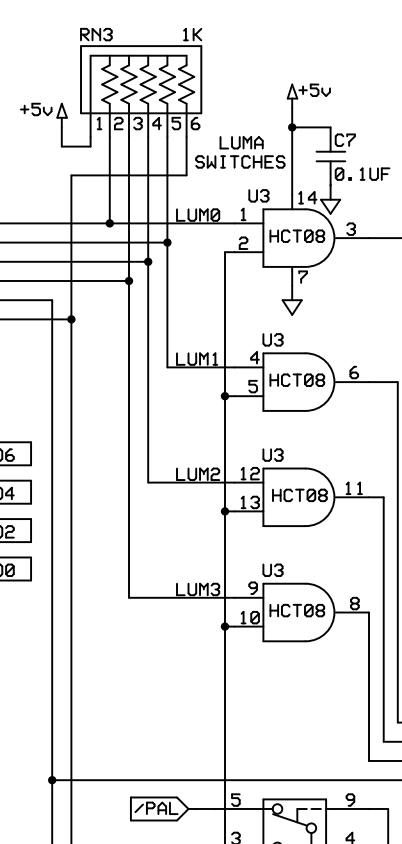
VIDEO CO-PROCESSOR



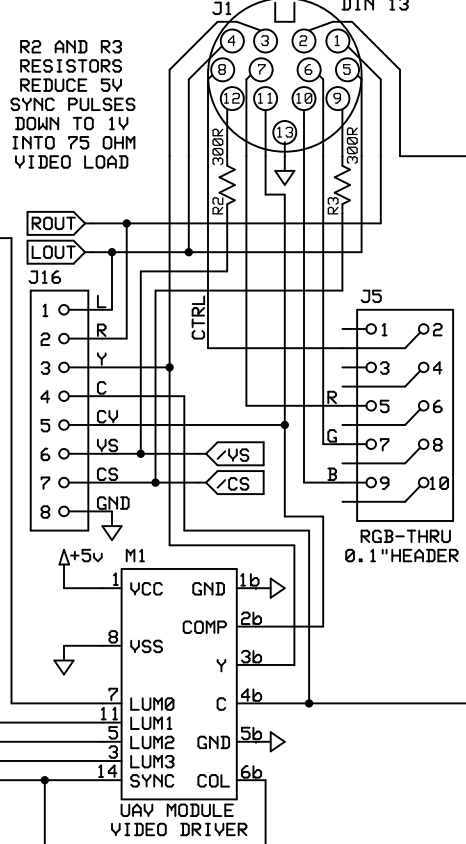
COLOR TV INTERFACE



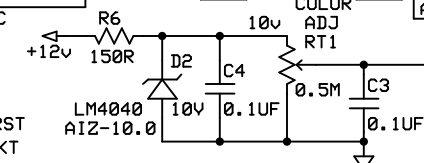
VIDEO GATING



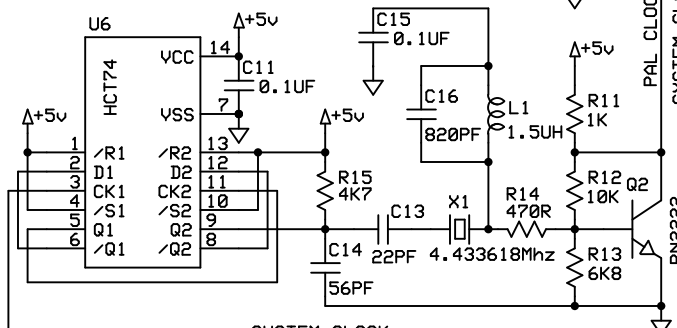
AUDIO/VIDEO OUT



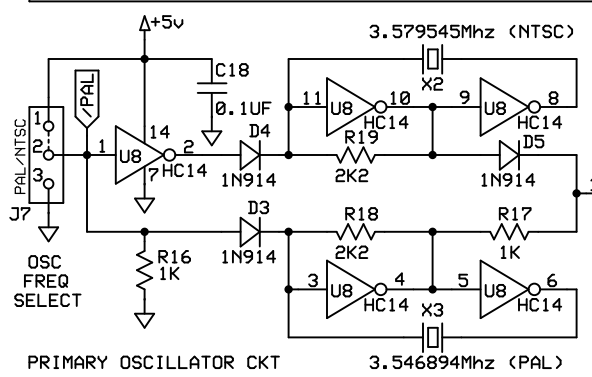
PAL COLOR BURST OSCILLATOR CKT



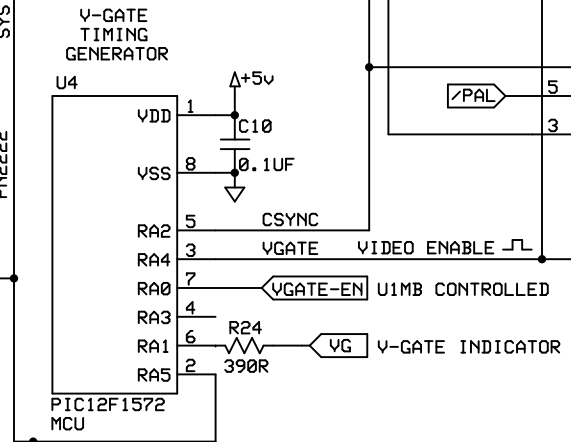
SYSTEM CLOCK



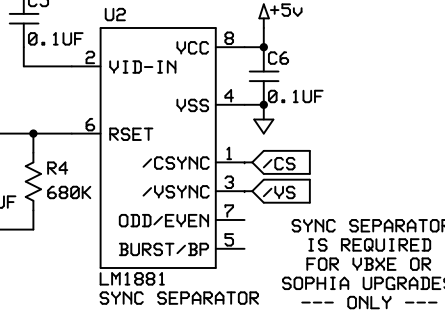
PRIMARY OSCILLATOR CKT



V-GATE TIMING GENERATOR



UAV MODULE VIDEO DRIVER



ATARI 1088XLD COMPUTER

An AtariBits Production

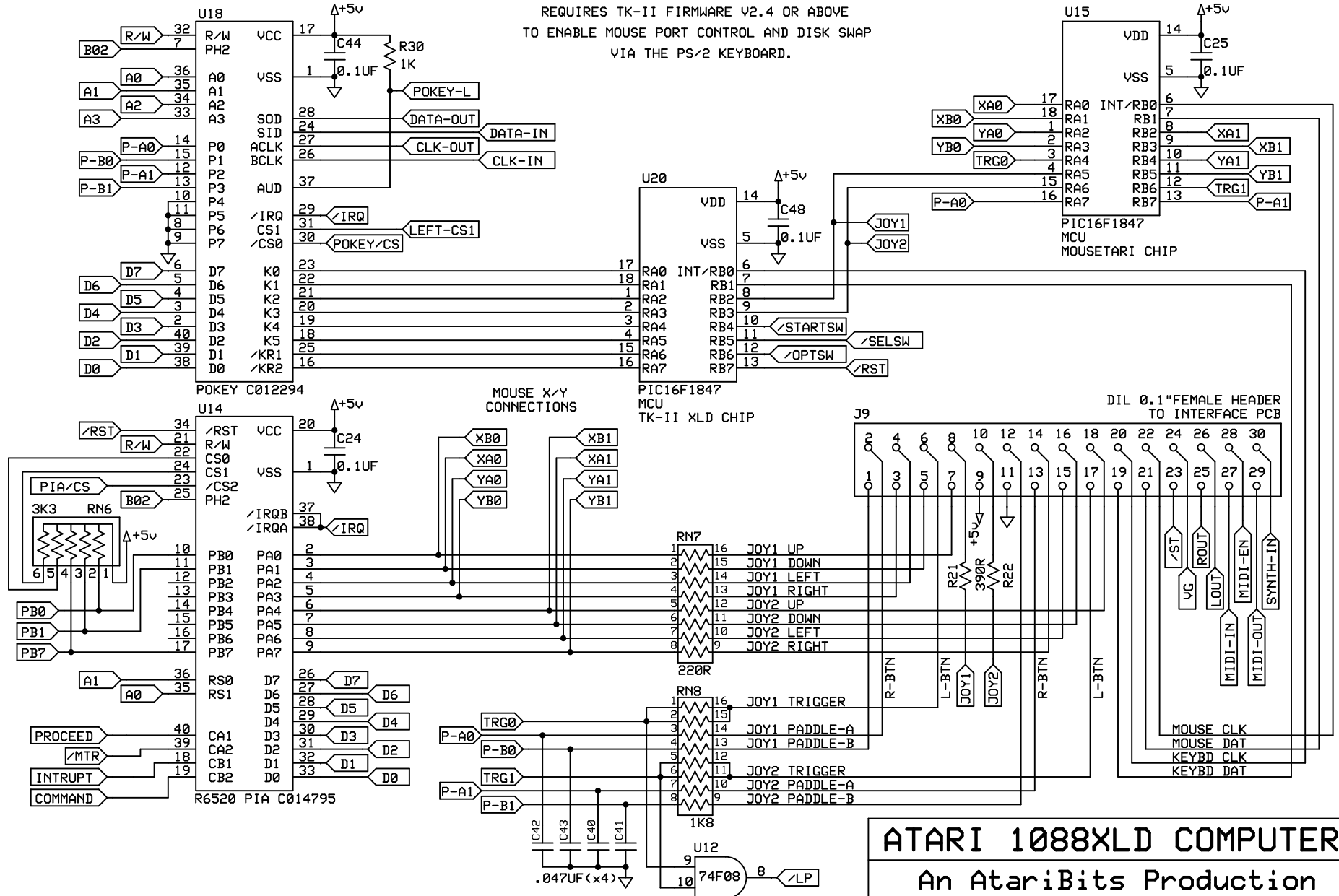
Michael St.Pierre	V1.1 RELEASE Revised: 8/29/2019	VIDEO
-------------------	------------------------------------	-------

VBXE OSC >> CONNECTION
JUMPER 1-2 FOR STOCK VIDEO

SYNC SEPARATOR IS REQUIRED FOR VBXE OR SOPHIA UPGRADES --- ONLY ---

LEFT CHANNEL POKEY

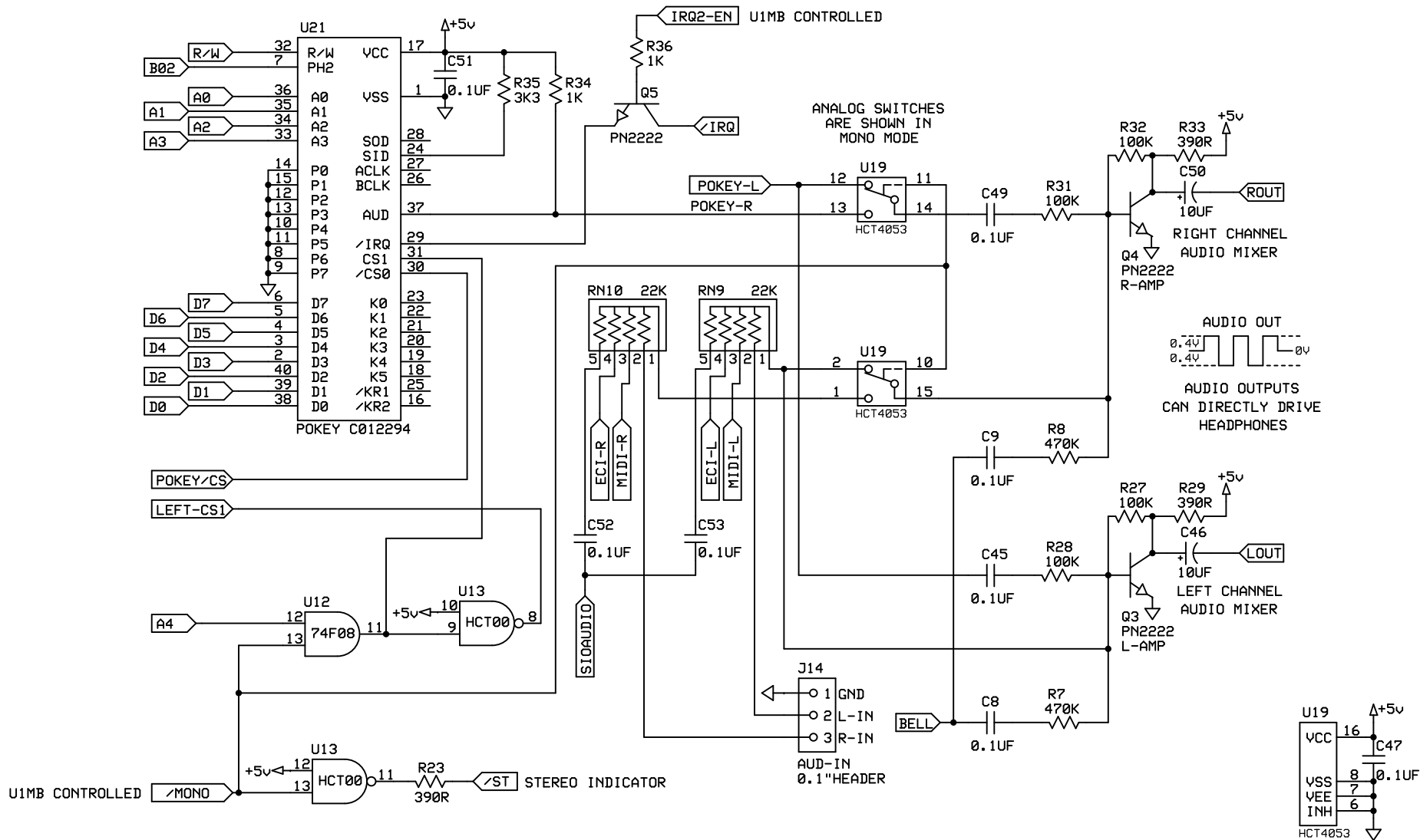
REQUIRES TK-II FIRMWARE V2.4 OR ABOVE
TO ENABLE MOUSE PORT CONTROL AND DISK SWAP
VIA THE PS/2 KEYBOARD.



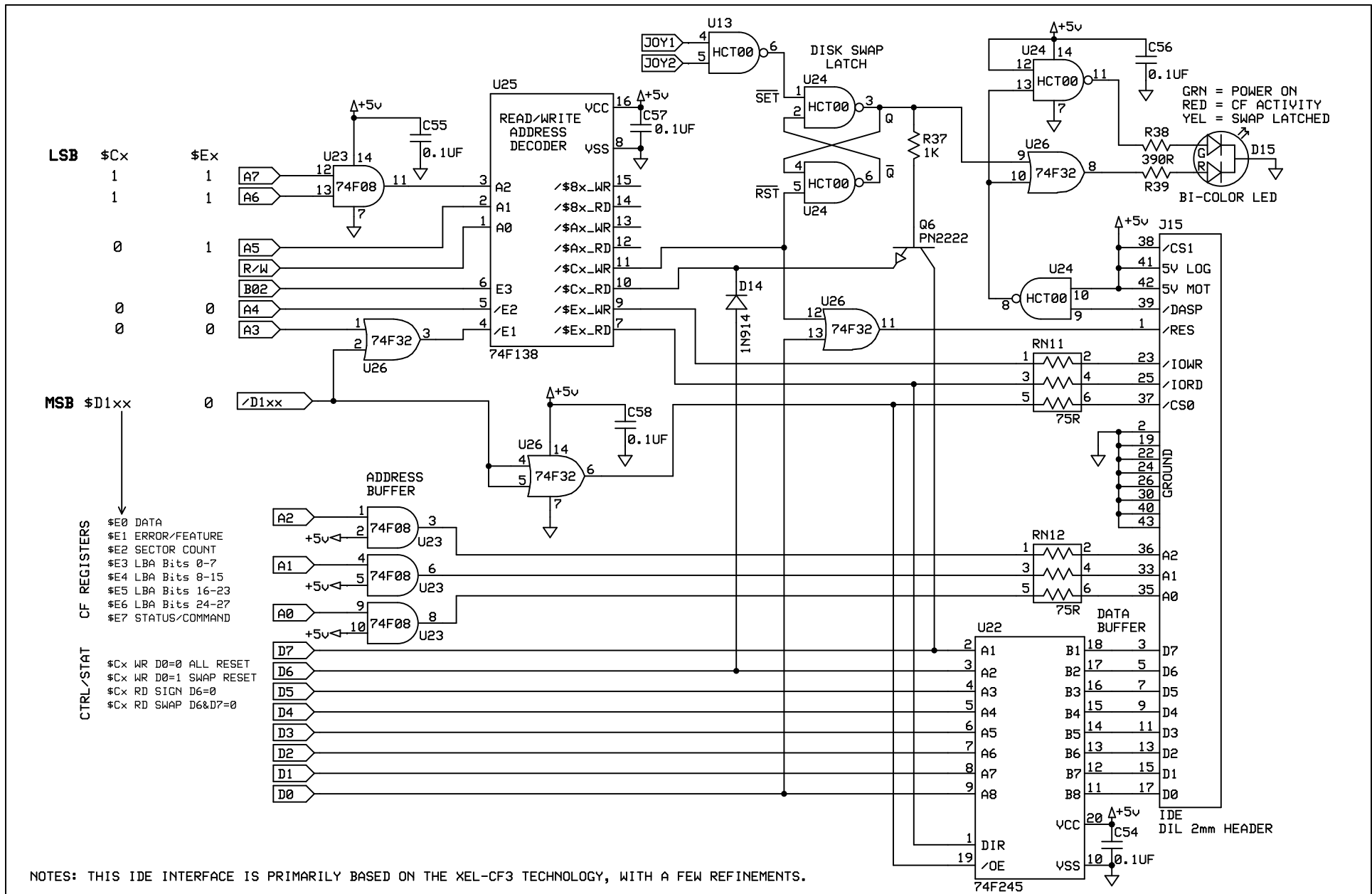
*NOTE: TK-II PROVIDES ALL RESET SERVICES

ATARI 1088XLD COMPUTER		
An AtariBits Production		
Michael St.Pierre	V1.1 RELEASE Revised: 8/29/2019	I/O

RIGHT CHANNEL POKEY



ATARI 1088XL COMPUTER		
An AtariBits Production		
Michael St.Pierre	V1.1 RELEASE	AUDIO
	Revised: 8/29/2019	



LSB \$Cx
 1 1
 1 1
 0 1
 0 0
 0 0

MSB \$D1xx

CF REGISTERS
 \$E0 DATA
 \$E1 ERROR/FEATURE
 \$E2 SECTOR COUNT
 \$E3 LBA Bits 0-7
 \$E4 LBA Bits 8-15
 \$E5 LBA Bits 16-23
 \$E6 LBA Bits 24-27
 \$E7 STATUS/COMMAND

CTRL/STAT
 \$Cx WR D0=0 ALL RESET
 \$Cx WR D0=1 SWAP RESET
 \$Cx RD SIGN D6=0
 \$Cx RD SWAP D6&D7=0

NOTES: THIS IDE INTERFACE IS PRIMARILY BASED ON THE XEL-CF3 TECHNOLOGY, WITH A FEW REFINEMENTS.

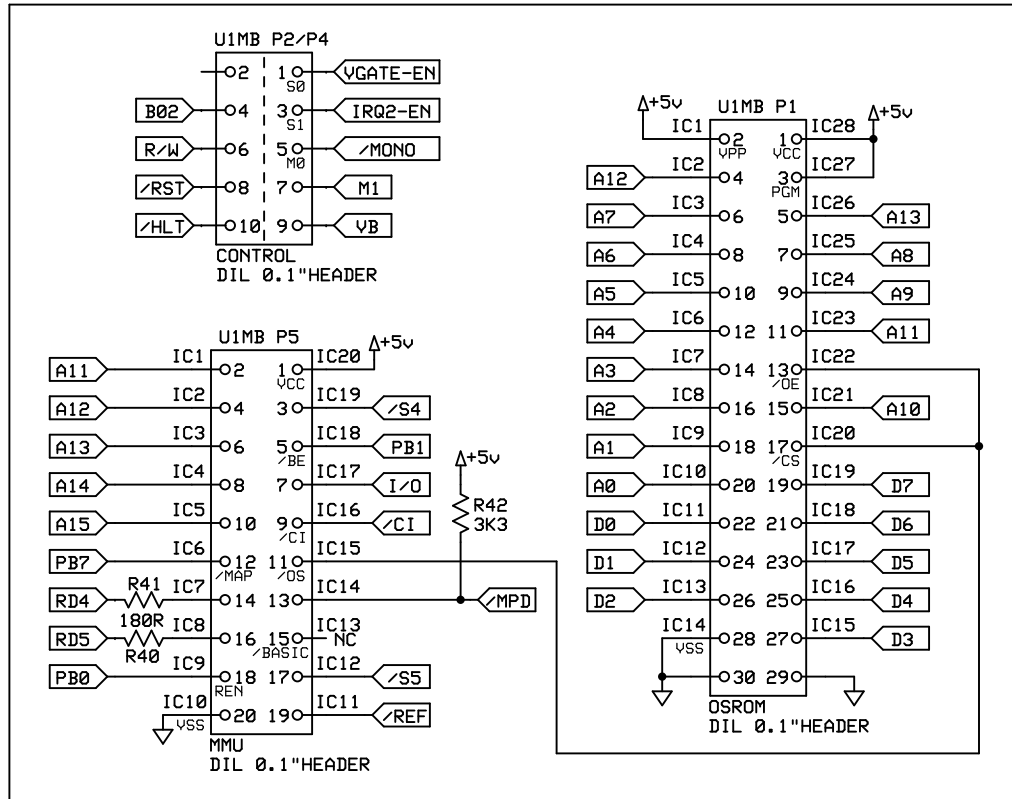
IF YOU DO A READ FROM \$D1Cx BIT 6 WILL ALWAYS BE LOW, THIS IS THE CF3 SIGNATURE. WHEREAS THE OLDER CF2 WILL HAVE BIT 6 READING HIGH. BIT 7 WILL ONLY READ LOW FOR A SWAP BUTTON LATCHED CONDITION, AND HIGH WHEN THE LATCH HAS BEEN RESET.

IF JOY1 and JOY2 SIGNALS ARE MOMENTARILY ACTIVATED AT THE SAME TIME VIA THE TK-II, THEN THE SWAP LATCH WILL BE INITIATED (LATER CLEARED BY THE U1MB BIOS).

ATARI 1088XL COMPUTER		
An AtariBits Production		
Michael St.Pierre	V1.1 RELEASE Revised: 8/29/2019	IDE

M3

OS & LANGUAGE SLOTS/RAM-EXPANSION/SDX/RTC



Lotharek.com ULTIMATE 1MB MODULE

U1MB/XEL CONTROL BIT DEFAULTS

P4	LOGIC=0	LOGIC=1	COMMITTED
S0	VGATE OFF	VGATE ON	
S1	IRQ2 OFF	IRQ2 ON	
M0	MONO	STEREO	
M1	RAPIDUS ON	RAPIDUS OFF	
VB	PART OF VBXE ADDRESSING		

ATARI 1088XLD COMPUTER

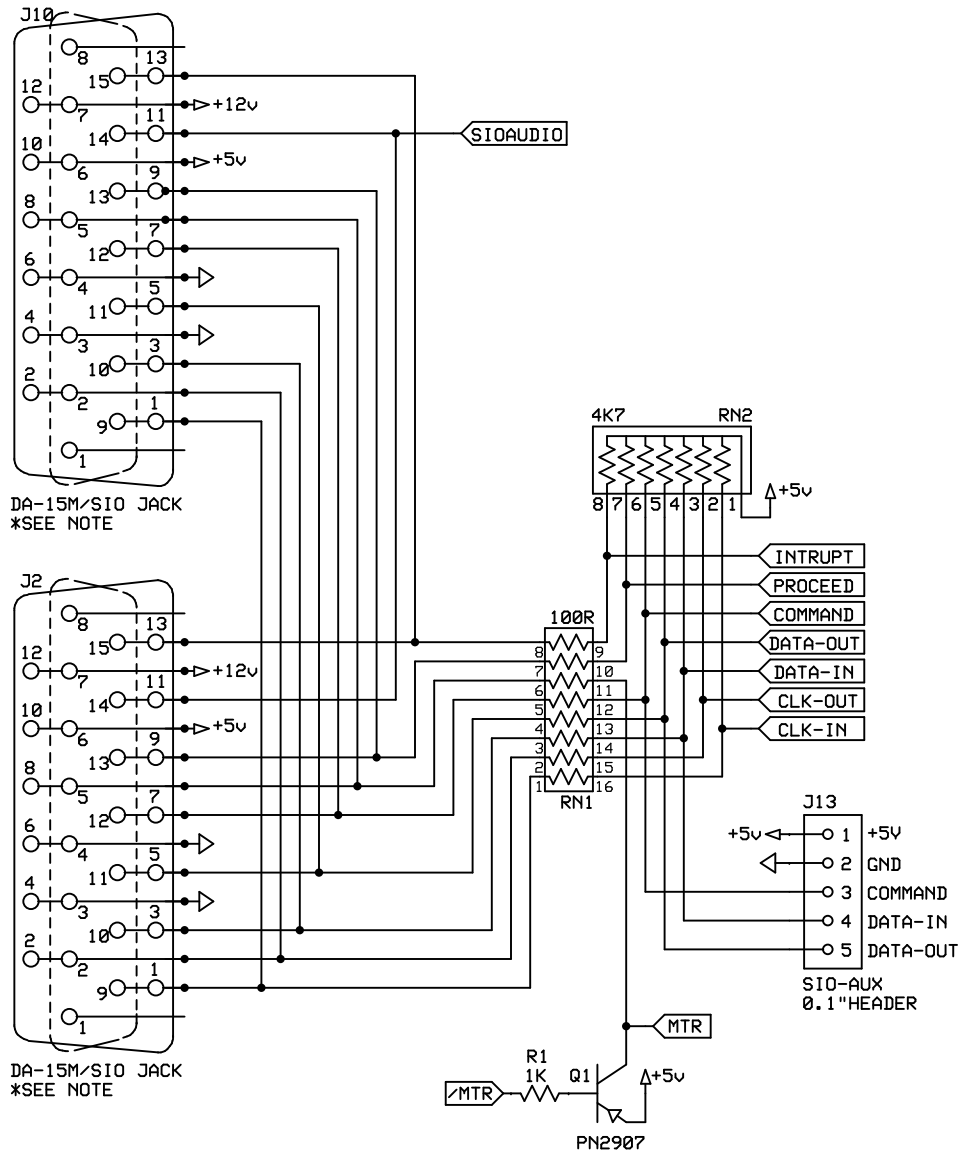
An AtariBits Production

Michael St.Pierre

V1.1 RELEASE
Revised: 8/29/2019

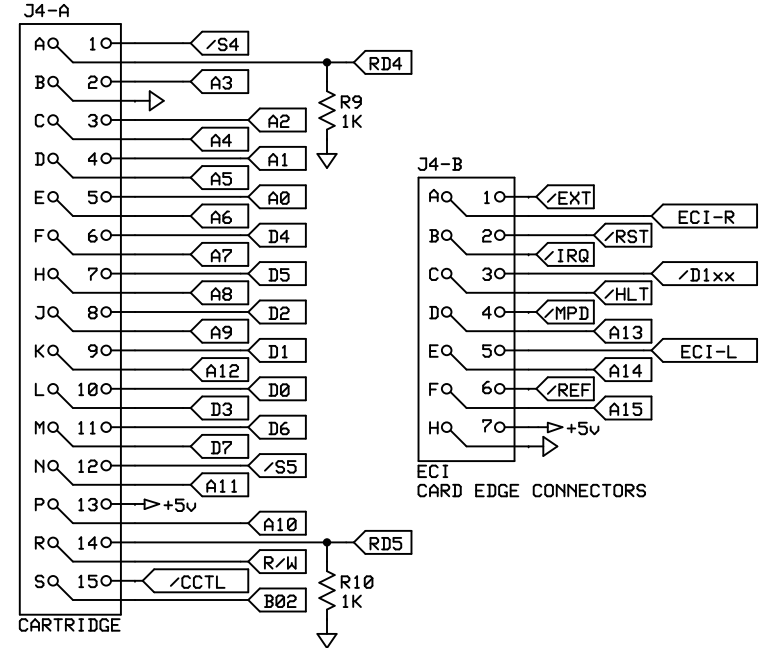
ULTIMATE 1MEG

SIO PORTS



INTERNAL PARALLEL EXPANSION

CART/ECI



*NOTE: THE PCB WILL SUPPORT BOTH THE ORIGINAL SIO JACK AND A DA-15M ALTERNATIVE, BUT NOT BOTH AT THE SAME TIME IN THE SAME POSITION. DA-15M SIO PORT IS COMPATIBLE WITH SDRIVE PIN ASSIGNMENTS SIO CONNECTOR J2 IS OPTIONAL AND SHOULD BE LEFT OUT IF THE GBS-8200 BOARD IS INSTALLED.

ATARI 1088XLD COMPUTER

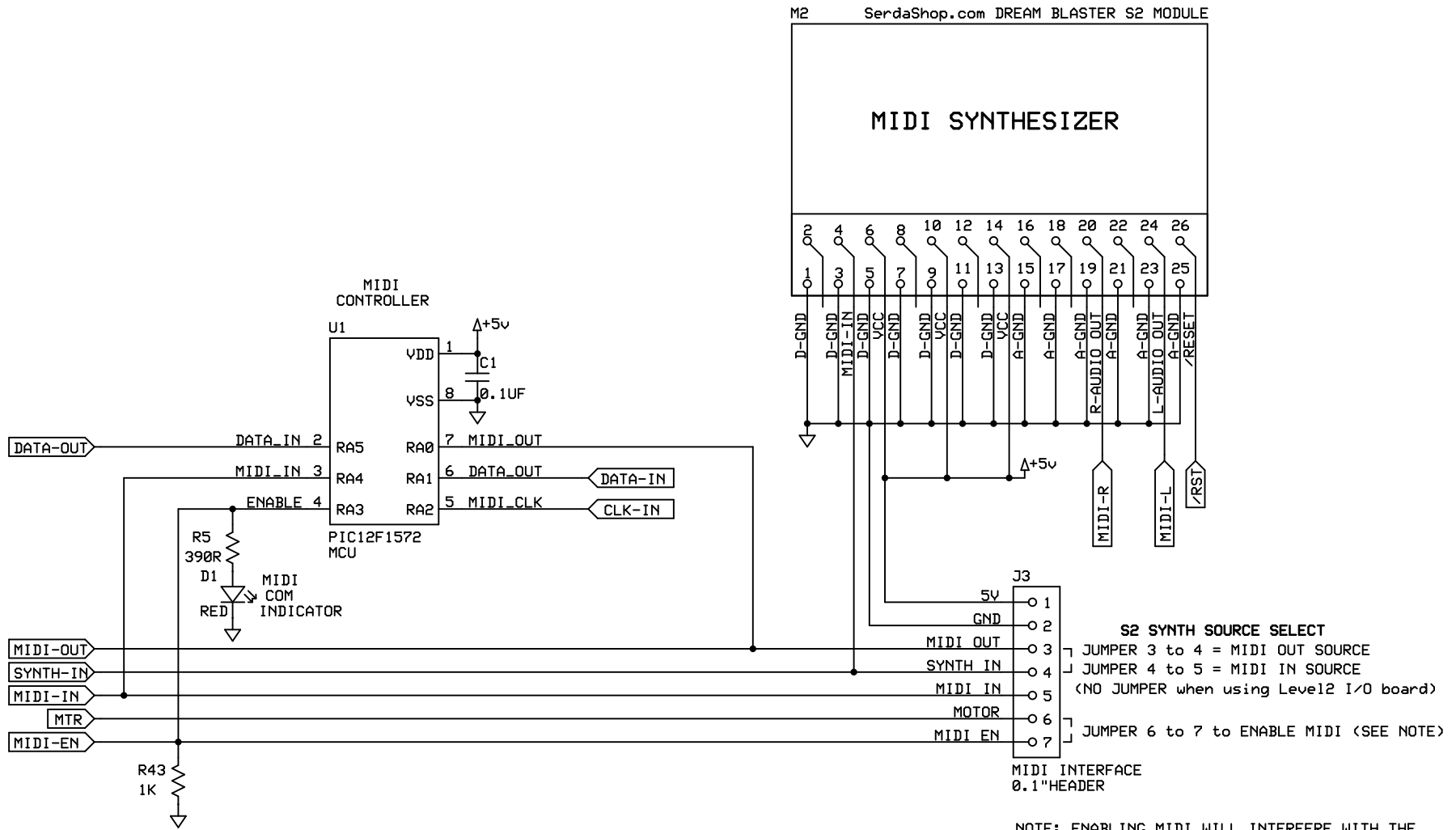
An AtariBits Production

Michael St.Pierre

V1.1 RELEASE

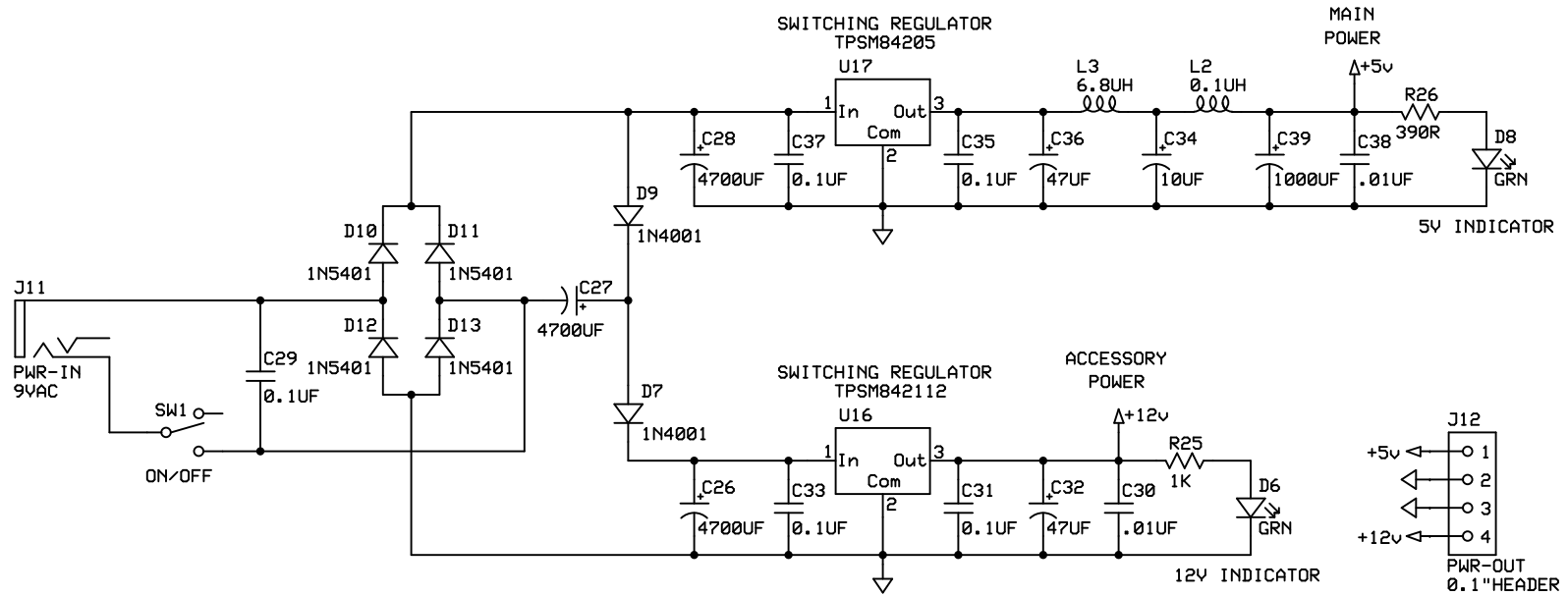
Revised: 8/29/2019

SIO/CART



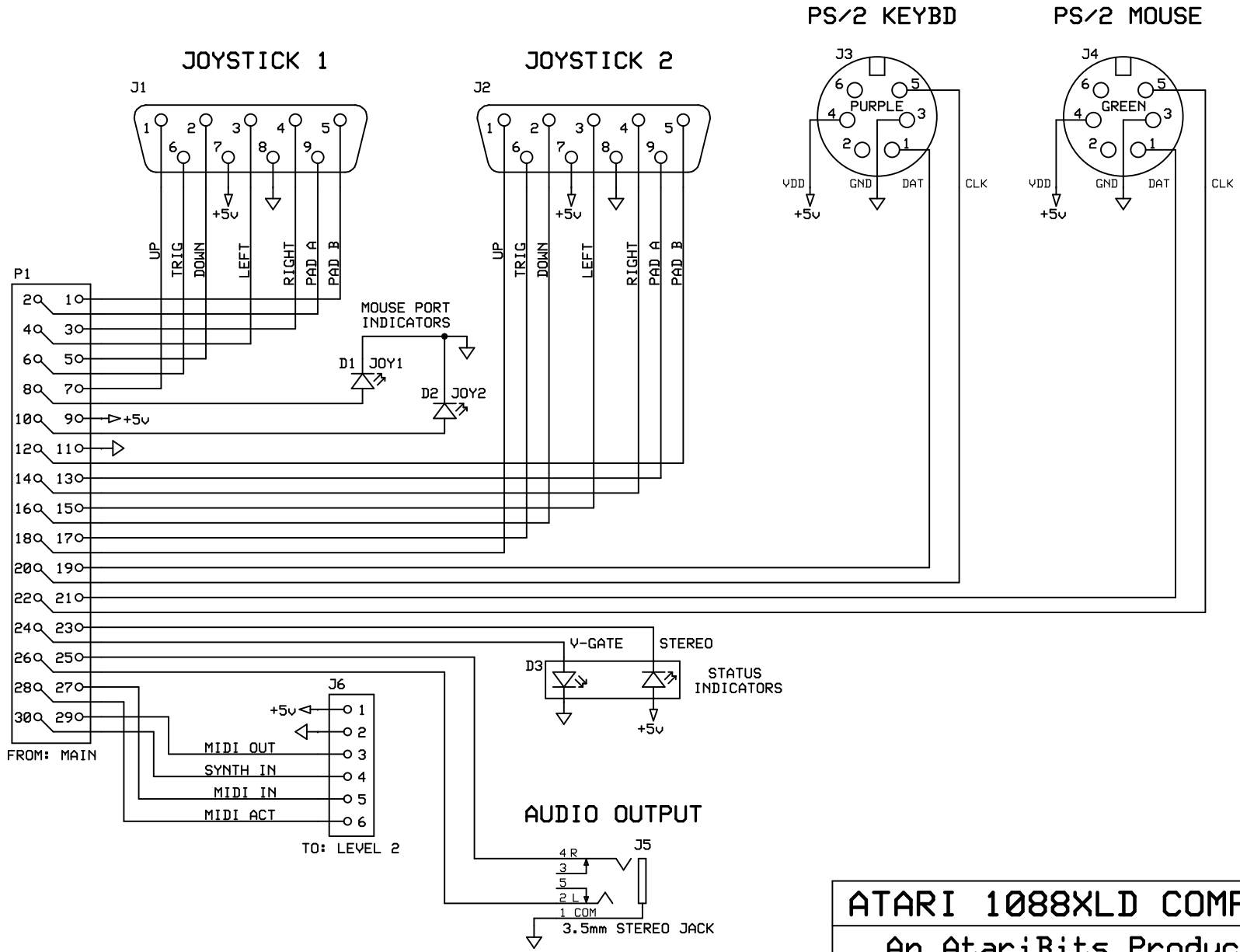
NOTE: ENABLING MIDI WILL INTERFERE WITH THE CASSETTE OR RVERTER FUNCTIONALITY

ATARI 1088XL COMPUTER		
An AtariBits Production		
Michael St.Pierre	V1.1 RELEASE Revised: 8/29/2019	MIDI



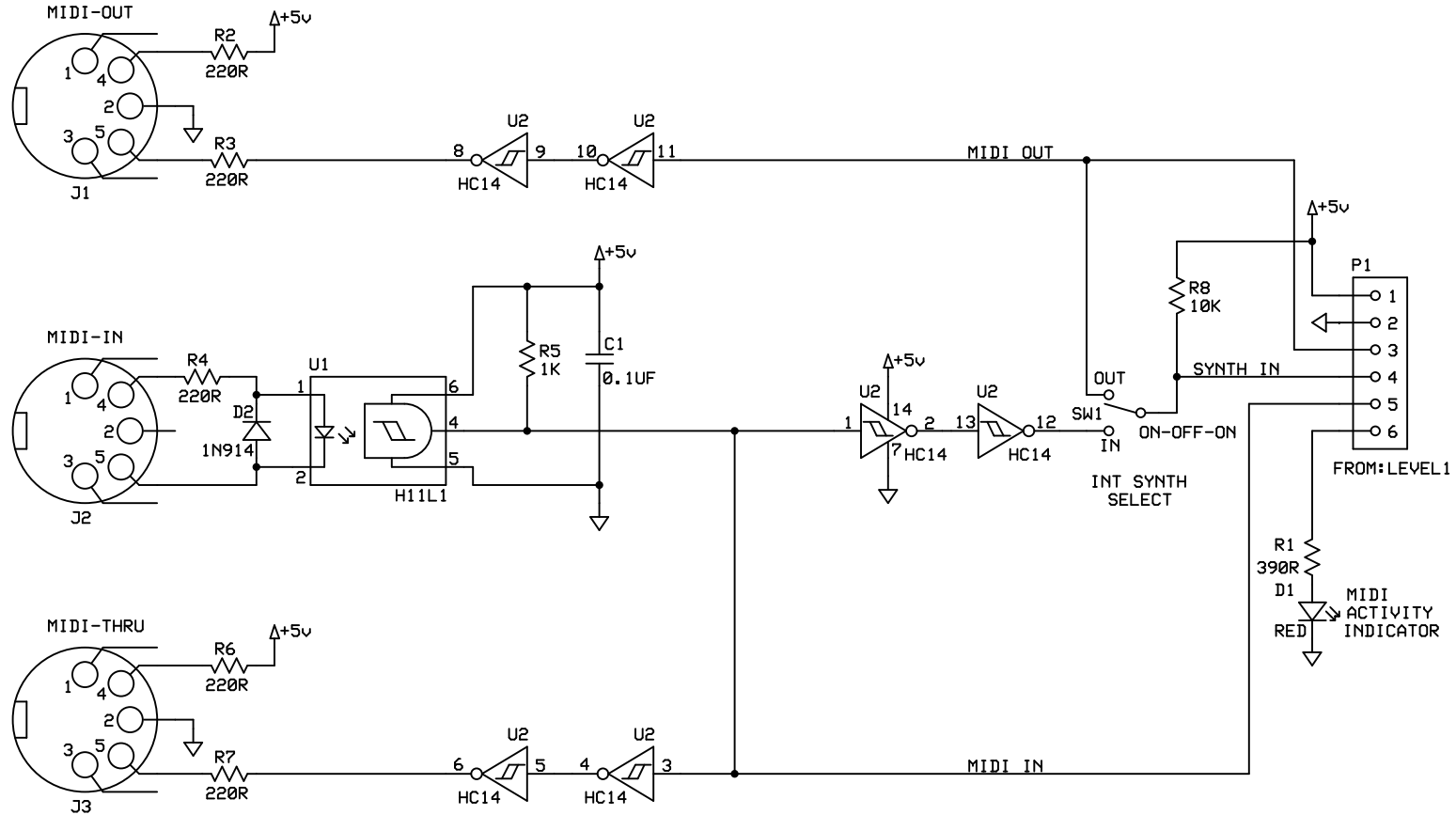
ATARI 1088XL COMPUTER
 An AtariBits Production

Michael St.Pierre	V1.1 RELEASE	POWER
	Revised: 8/29/2019	



ATARI 1088XLD COMPUTER
 An AtariBits Production

Michael St.Pierre	V1.0 RELEASE	LEVEL 1 I/O
	8/4/2019	



PARTS LIST

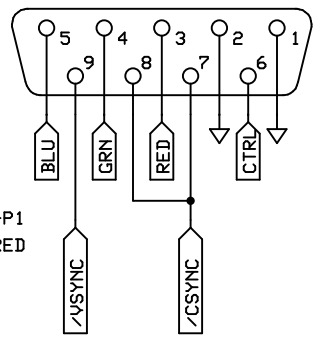
- C1 0.1UF CERAMIC CAPACITOR
- R1 390 OHM 1/4 WATT RESISTOR
- R2-R4, R6, R7 220 OHM 1/4 WATT RESISTOR
- R5 1K OHM 1/4 WATT RESISTOR
- R8 10K OHM 1/4 WATT RESISTOR
- D1 RED LED w/RIGHT ANGLE MOUNTING
- D2 GENERAL PURPOSE SILICON DIODE
- U1 LOGIC OPTO-ISOLATOR
- U2 HEX SCHMITT TRIGGER INVERTER
- J1-J3 5-PIN DIN RA PCB JACK
- P1 0.1" MALE PIN HEADER

ATARI 1088XL COMPUTER		
An AtariBits Production		
Michael St.Pierre	V1.0 RELEASE 8/4/2019	LEVEL 2 I/O

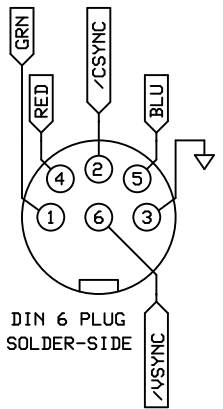
PHILLIPS CM8833-II
 COMMODORE 1084S DB9
 ATARI SC1435

VARIANTS: 1084ST, 1084S-P1
 VSYNC & CTRL NOT REQUIRED

DB9 MALE SOLDER-SIDE VIEW

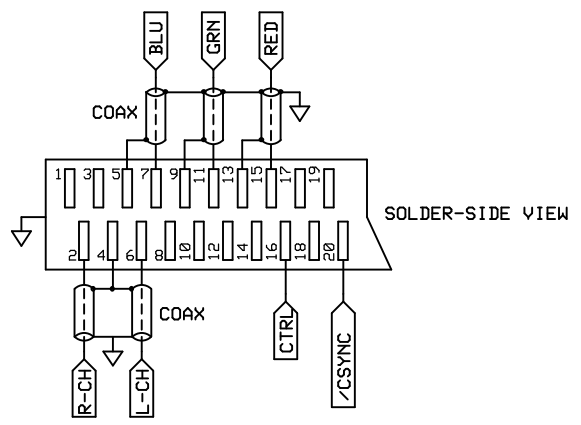


COMMODORE
 1084S DIN



DIN 6 PLUG
 SOLDER-SIDE

EUROPEAN SCART

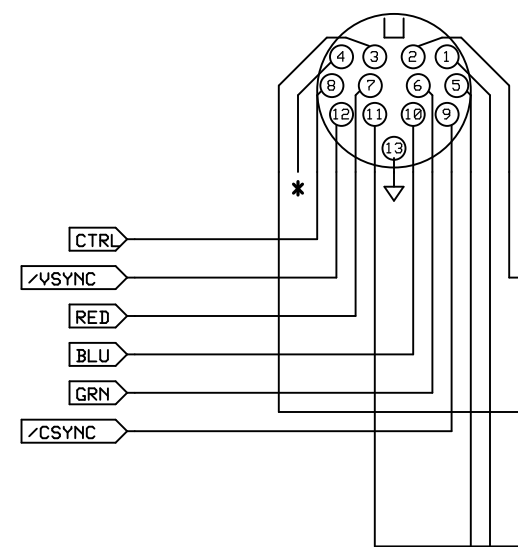


SOLDER-SIDE VIEW

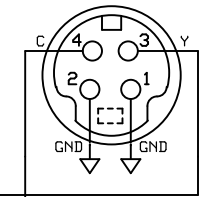
RGB

1088XLD AUDIO/VIDEO JACK

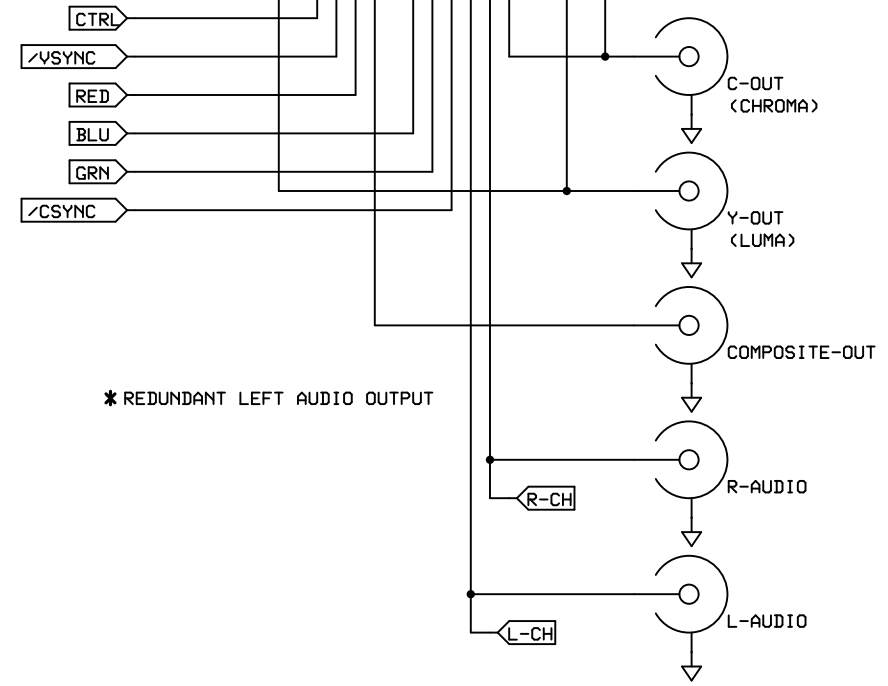
DIN 13 JACK FRONT VIEW
 (PLUG SOLDER-SIDE VIEW)



MINI-DIN 4 PLUG
 SOLDER-SIDE



S-VIDEO



* REDUNDANT LEFT AUDIO OUTPUT

STD VIDEO

- NOTE1: FOR OPTIMUM RESULTS IT'S BEST TO INDIVIDUALLY SHIELD SIGNAL WIRES
- NOTE2: DIN 13 RGB IS DIRECTLY COMPATIBLE WITH ATARI SC1224 ST MONITOR
- NOTE3: RGB VIDEO REQUIRES EITHER SOPHIA OR VBXE VIDEO BOARD INSTALLED
- NOTE4: STANDARD VIDEO REQUIRES UAY BOARD INSTALLED

ATARI 1088XLD COMPUTER		
An AtariBits Production		
Michael St.Pierre	V1.0 RELEASE 8/4/2019	VIDEO CONNECT

