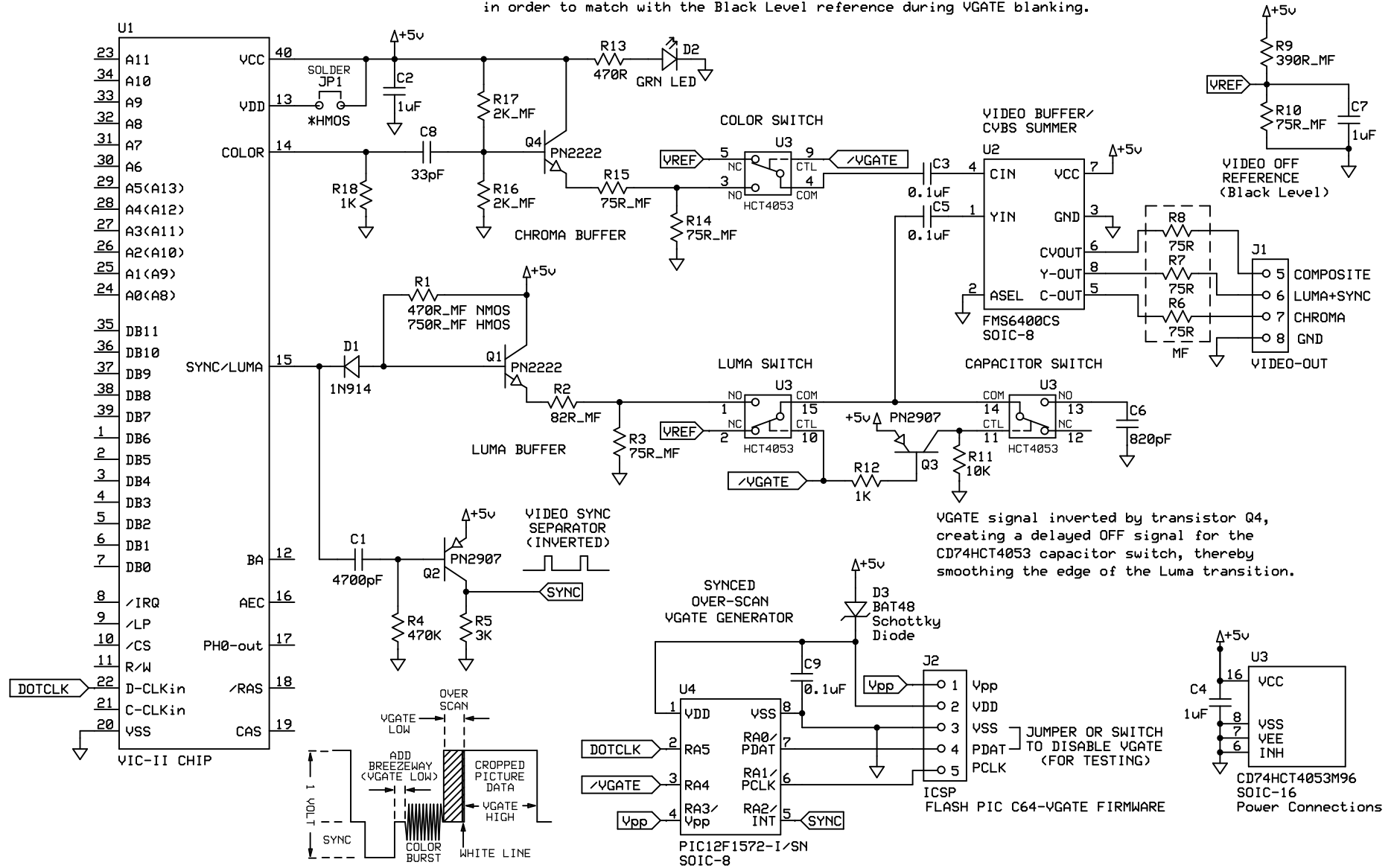


Metal Film (MF) 1% resistors are used for thermal stability and accuracy in order to match with the Black Level reference during VGATE blanking.



NOTE: An extra stacked U1 socket will have PIN 14 and PIN 15 removed in order to isolate those pins from the VIC-II's motherboard connections. This upgrade will no longer feed any video to the stock circuits, and will instead form new ones.

*If HMOS VIC is to be used on NMOS board, then also remove PIN 13 from stacked socket.

The 0.8mm 4-Layer PCB has a total of 3 GND planes (Top-Middle-Bottom), and the +5VDC also has its own power plane as an additional middle layer.

C64-VGATE (MAIN)		
VIC-II Gated Video Board		
AtariAge:MyTek	Rev 1.1 4/30/2024	Page 1 of 3