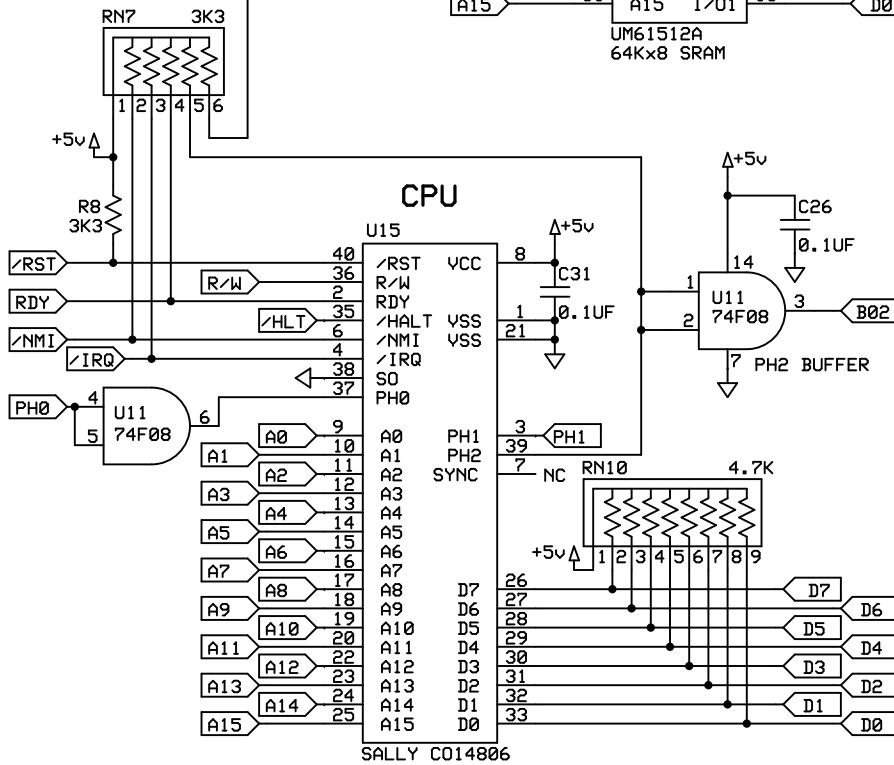
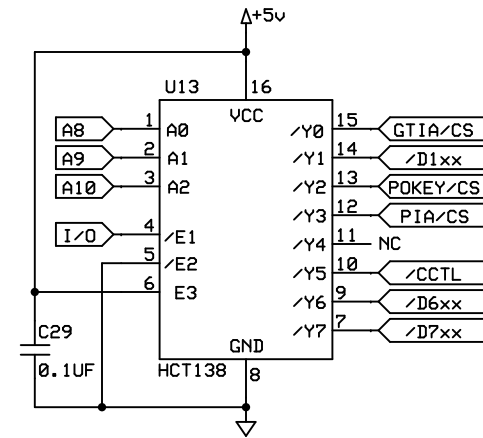


CHIP SELECT DECODING



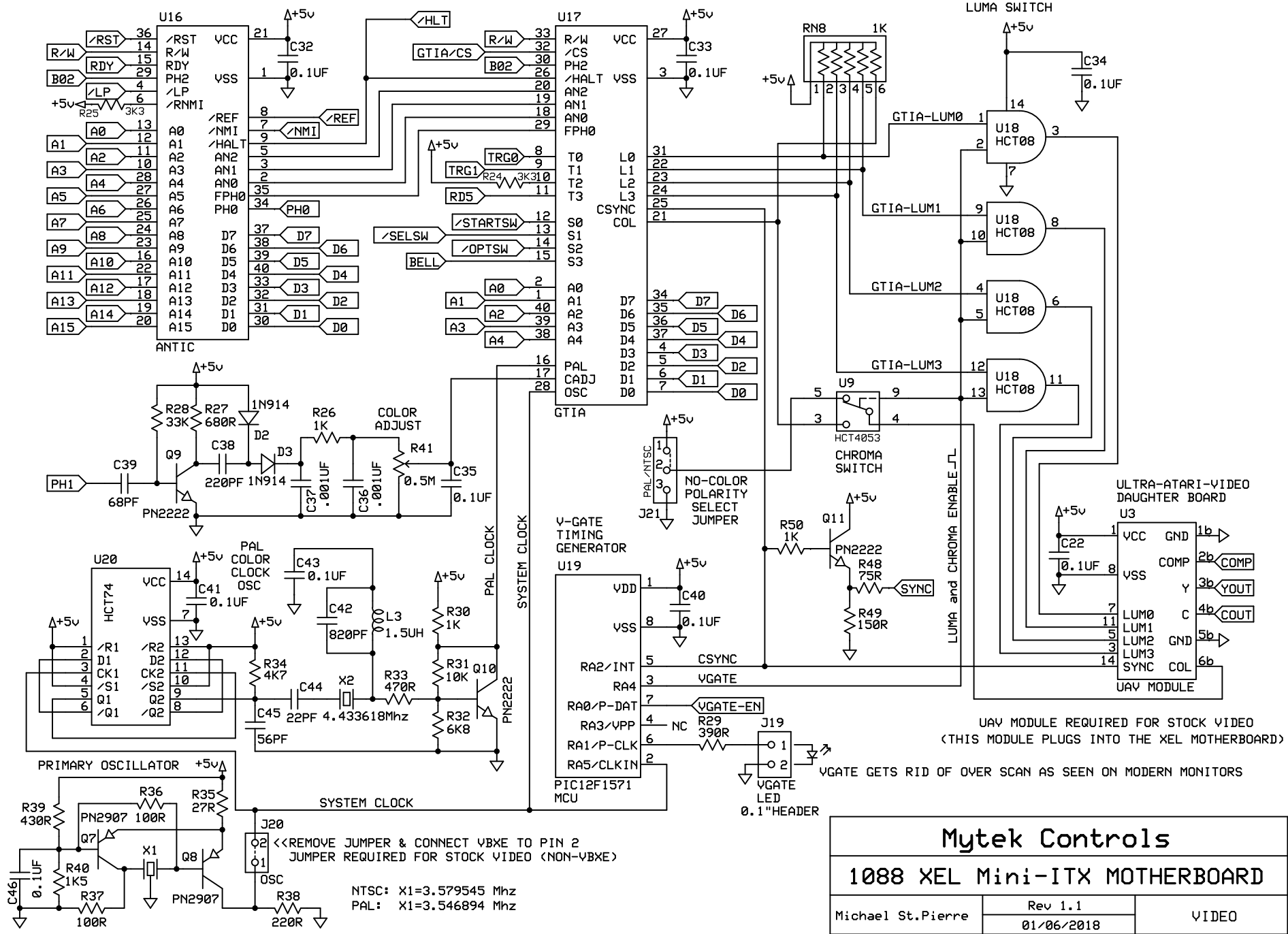
*NOTE: /EXT = /EXTSEL, REQUEST BY EXTERNAL DEVICE (Parallel Bus) TO TURN OFF RAM ACCESS
/CI = /CASINH, RAM CAS INHIBIT GENERATED BY U1MB MMU DECODING

Mytek Controls		
1088 XEL Mini-ITX MOTHERBOARD		
Michael St.Pierre	Rev 1.1 01/06/2018	CPU/MEMORY

VIDEO CO-PROCESSOR

COLOR TV INTERFACE

VIDEO GATING



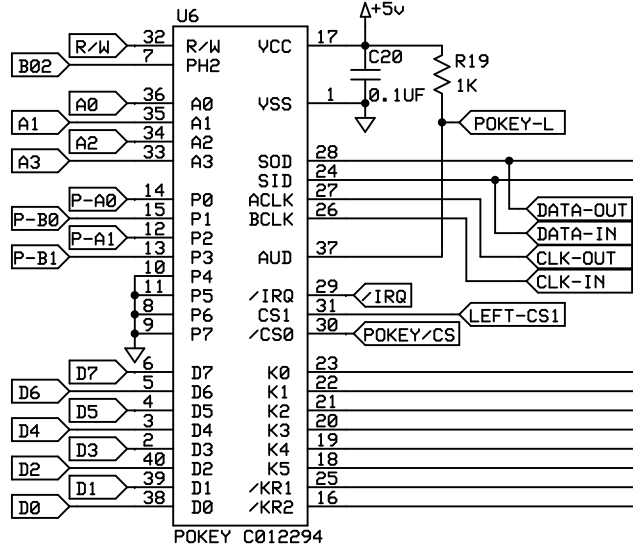
UAV MODULE REQUIRED FOR STOCK VIDEO
(THIS MODULE PLUGS INTO THE XEL MOTHERBOARD)

Mytek Controls		
1088 XEL Mini-ITX MOTHERBOARD		
Michael St.Pierre	Rev 1.1	VIDEO
	01/06/2018	

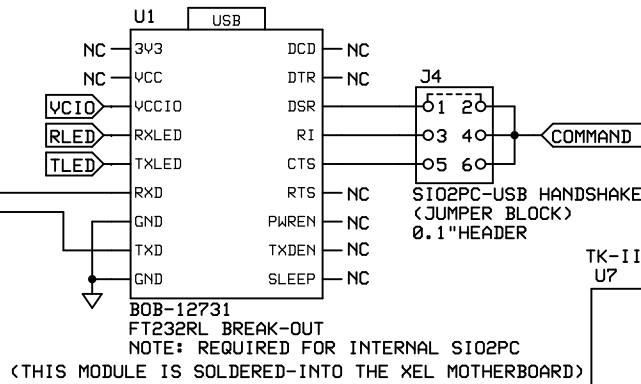
NTSC: X1=3.579545 Mhz
PAL: X1=3.546894 Mhz

<<REMOVE JUMPER & CONNECT VBXE TO PIN 2
JUMPER REQUIRED FOR STOCK VIDEO (NON-VBXE)>>

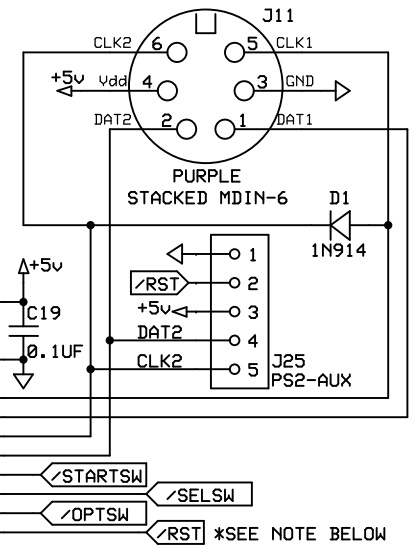
LEFT CHANNEL POKEY



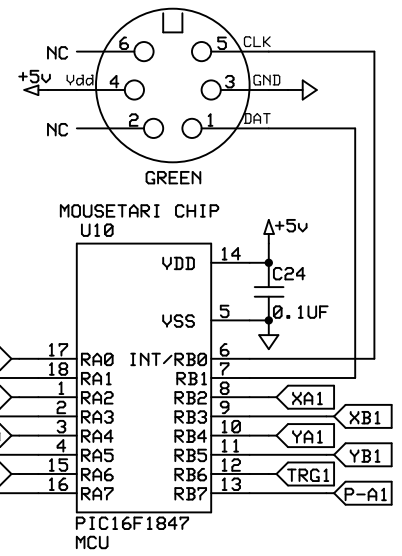
SI02PC-USB



PS/2 KEYBD



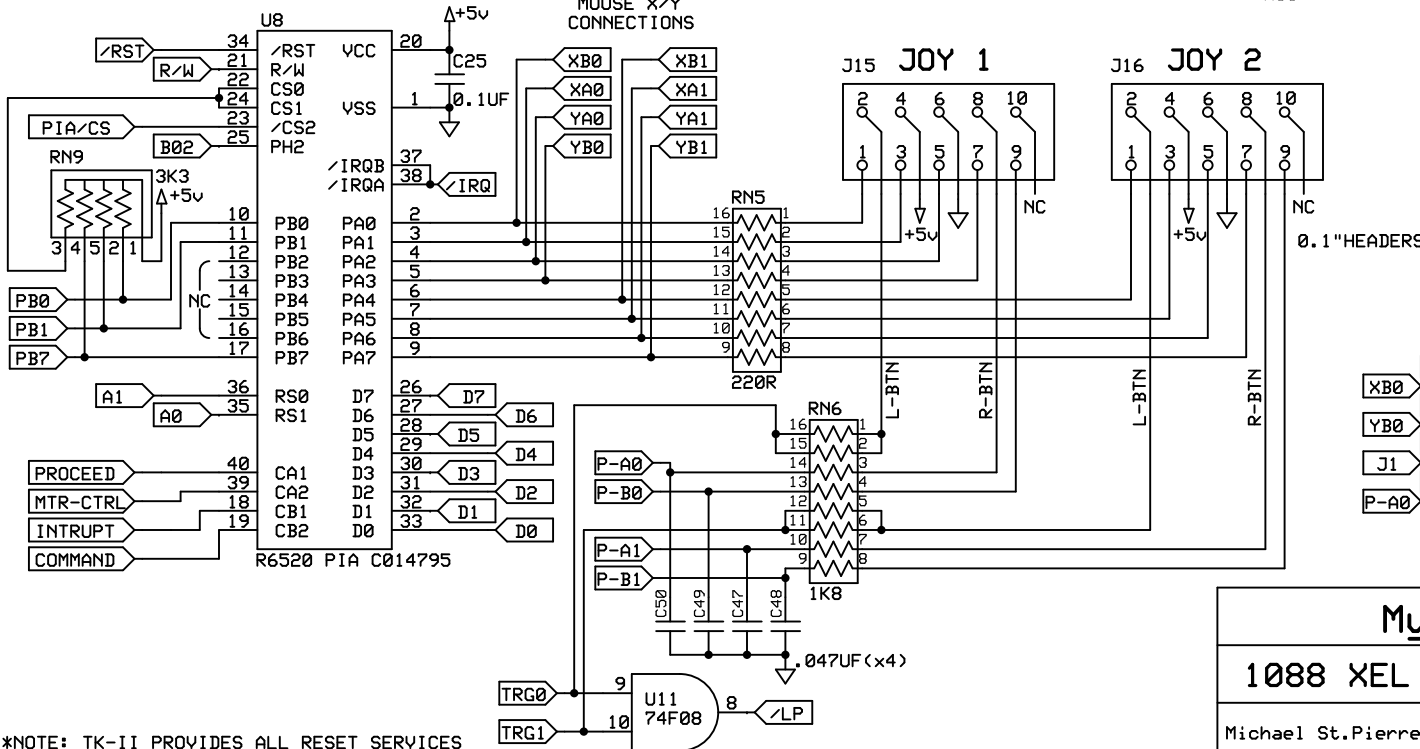
PS/2 MOUSE



MOUSE X/Y CONNECTIONS

JOY 1

JOY 2



Mytek Controls

1088 XEL Mini-ITX MOTHERBOARD

Michael St.Pierre

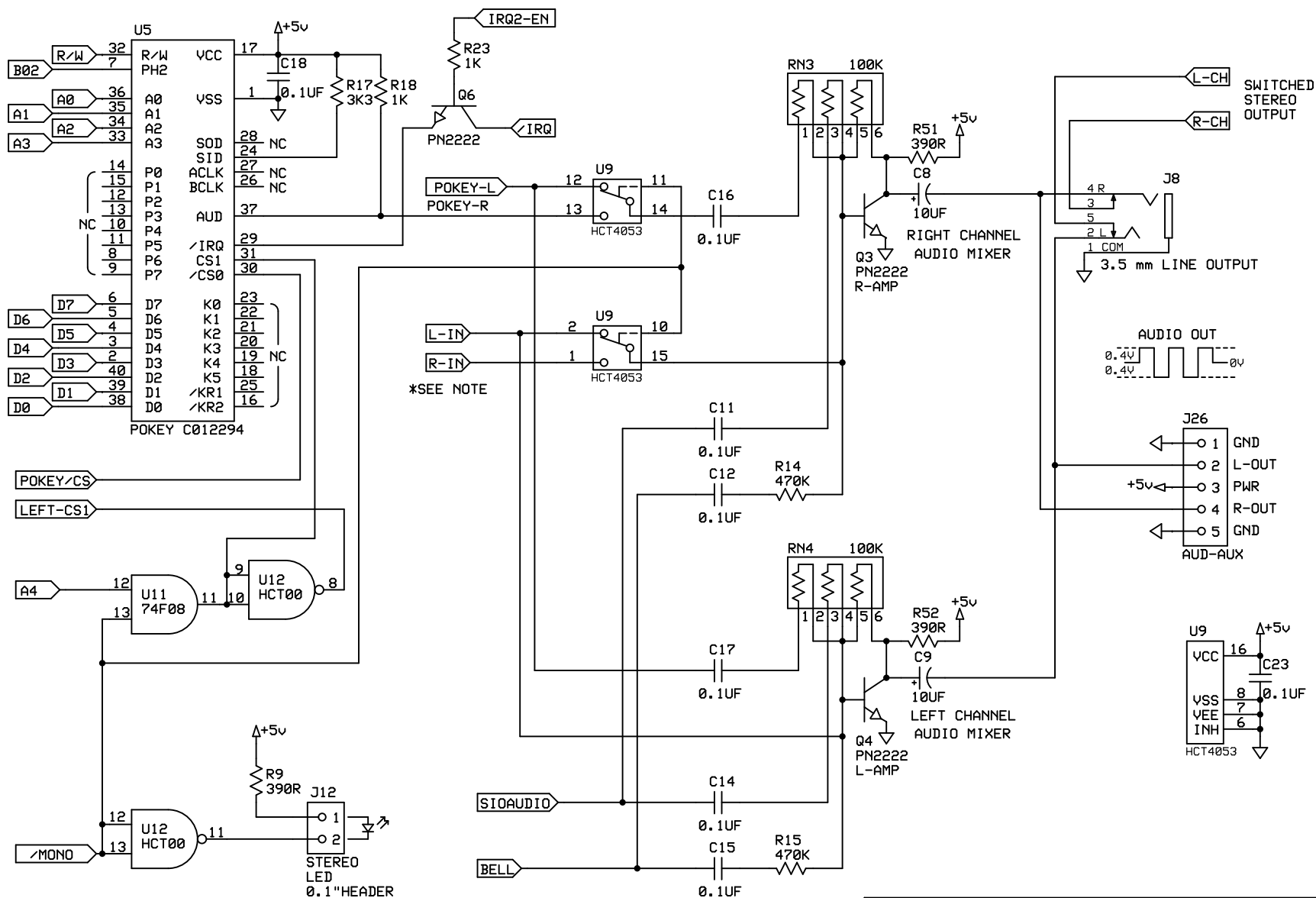
Rev 1.1

01/06/2018

I/O

*NOTE: TK-II PROVIDES ALL RESET SERVICES

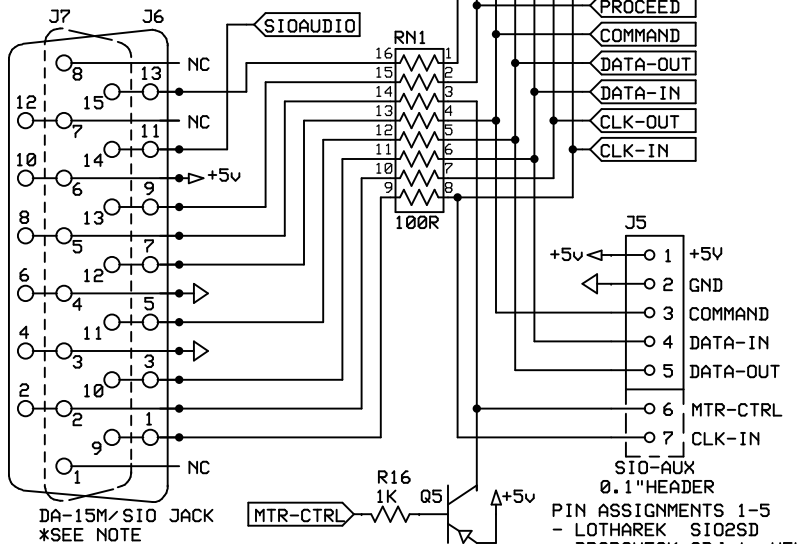
RIGHT CHANNEL POKEY



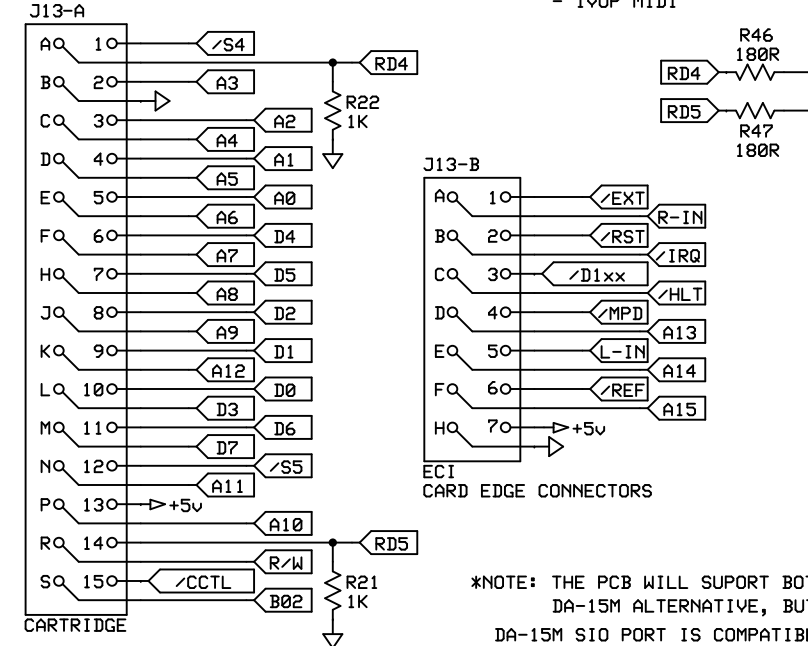
*NOTE: R-IN and L-IN GO DIRECTLY INTO THE SUMMING AMPLIFIERS, SO REQUIRE AN INLINE RESISTOR AND CAPACITOR ON THE MPBI DEVICE IF THEY HAVE AUDIO OUTPUTS.

Mytek Controls		
1088 XEL Mini-ITX MOTHERBOARD		
Michael St.Pierre	Rev 1.1	AUDIO
	01/06/2018	

SIO PORT

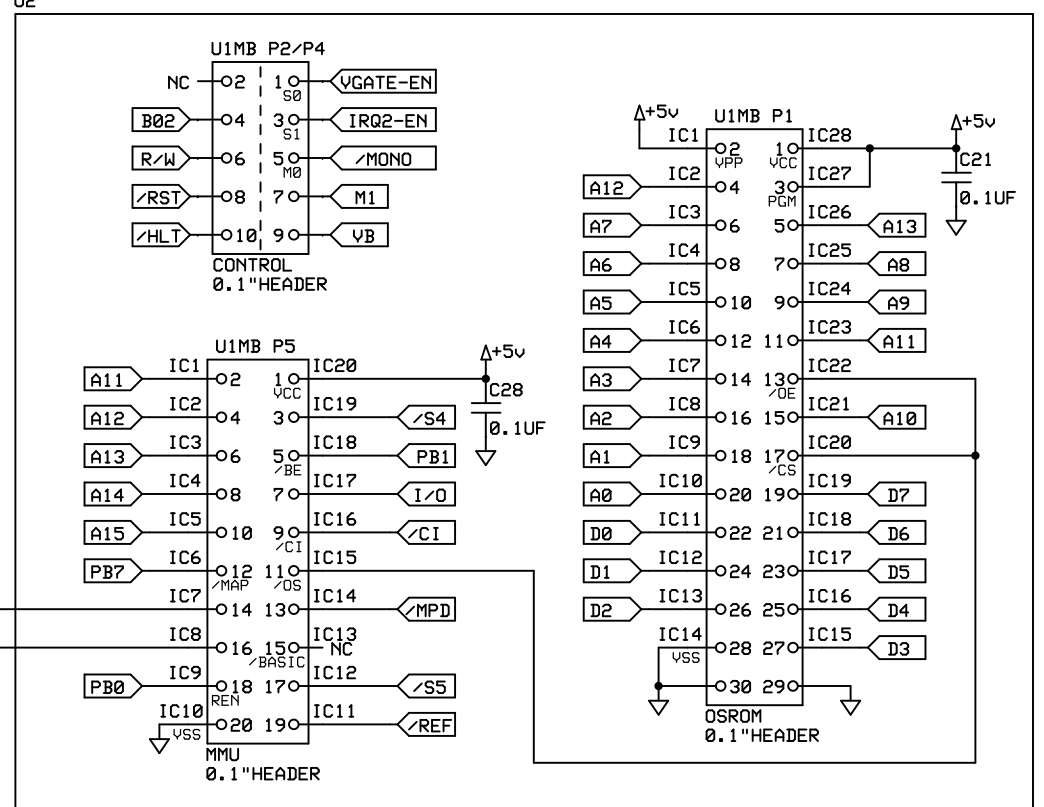


CART/ECI



*NOTE: THE PCB WILL SUPPORT BOTH THE ORIGINAL SIO JACK AND A DA-15M ALTERNATIVE, BUT NOT BOTH AT THE SAME TIME.
DA-15M SIO PORT IS COMPATIBLE WITH SDRIVE PIN ASSIGNMENTS

OS/LANGUAGE/RAM-EXPANSION/SDX/R-TIME8



U1MB/XEL CONTROL BIT DEFAULTS

	LOGIC=0	LOGIC=1	COMMITTED
S0	VGATE OFF	VGATE ON	
S1	IRQ2 OFF	IRQ2 ON	
M0	MONO	STEREO	
M1	RAPIDUS ON	RAPIDUS OFF	
VB	PART OF VBXE ADDRESSING		

ULTIMATE 1MB MODULE

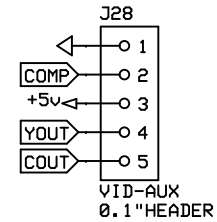
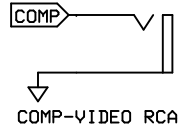
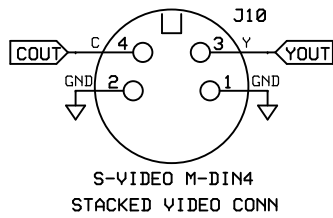
NOTE: THE U1MB BOARD IS A MUST HAVE ITEM.
(THIS MODULE PLUGS INTO THE XEL MOTHERBOARD)

Mytek Controls

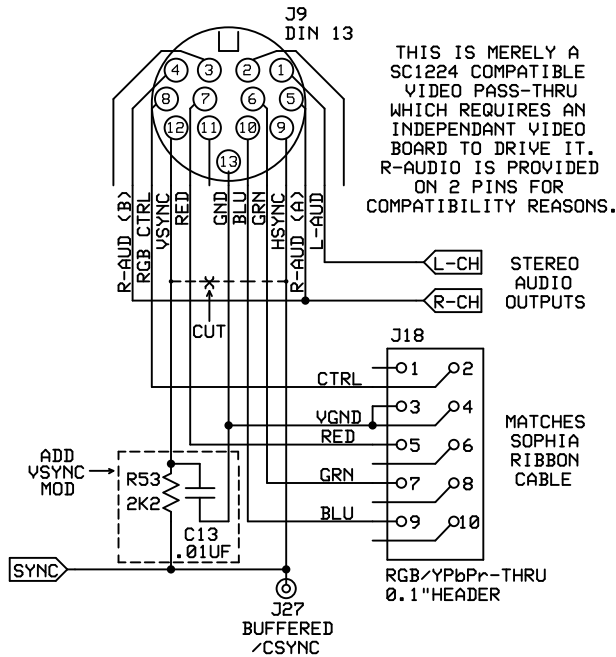
1088 XEL Mini-ITX MOTHERBOARD

Michael St.Pierre	Rev 1.1 01/06/2018	MISC CONN1
-------------------	-----------------------	------------

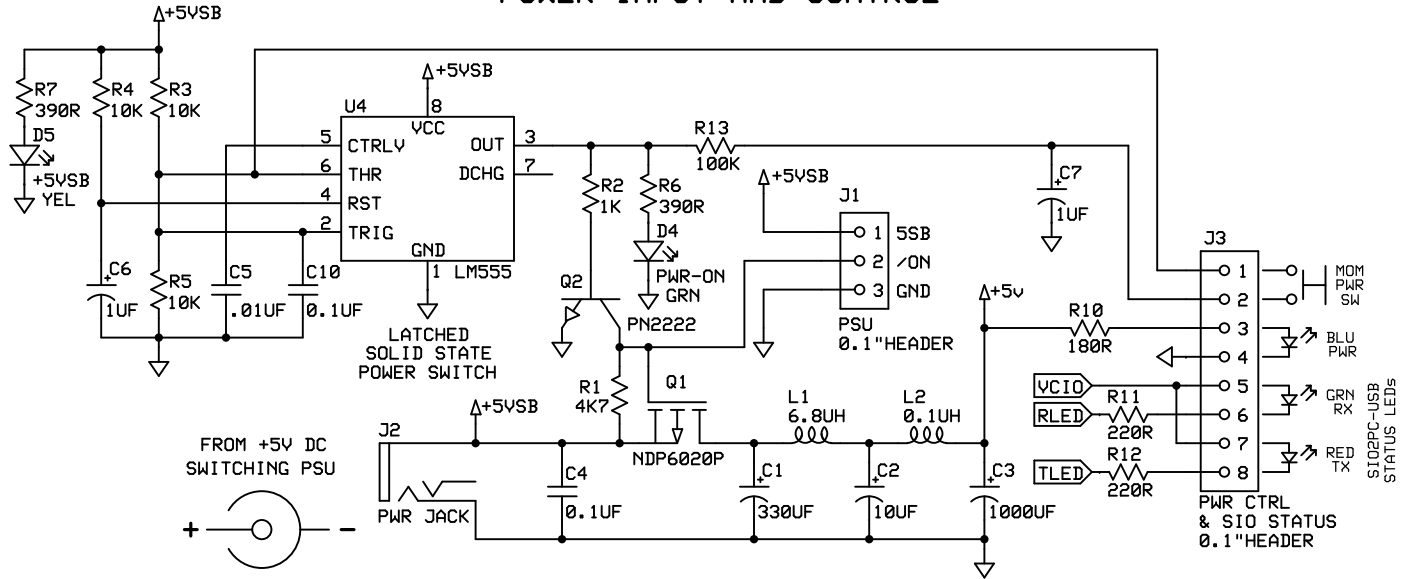
STD VIDEO



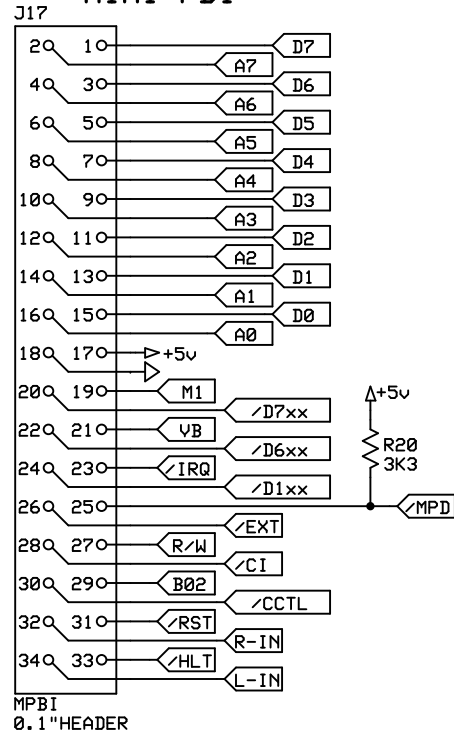
RGB/YPbPr



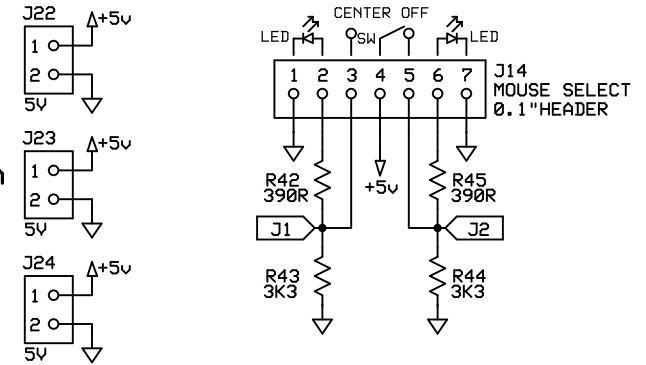
POWER INPUT AND CONTROL



Mini-PBI



Mouse Select Switch



Mytek Controls

1088 XEL Mini-ITX MOTHERBOARD

Michael St.Pierre

Rev 1.1
01/06/2018

MISC CONN2